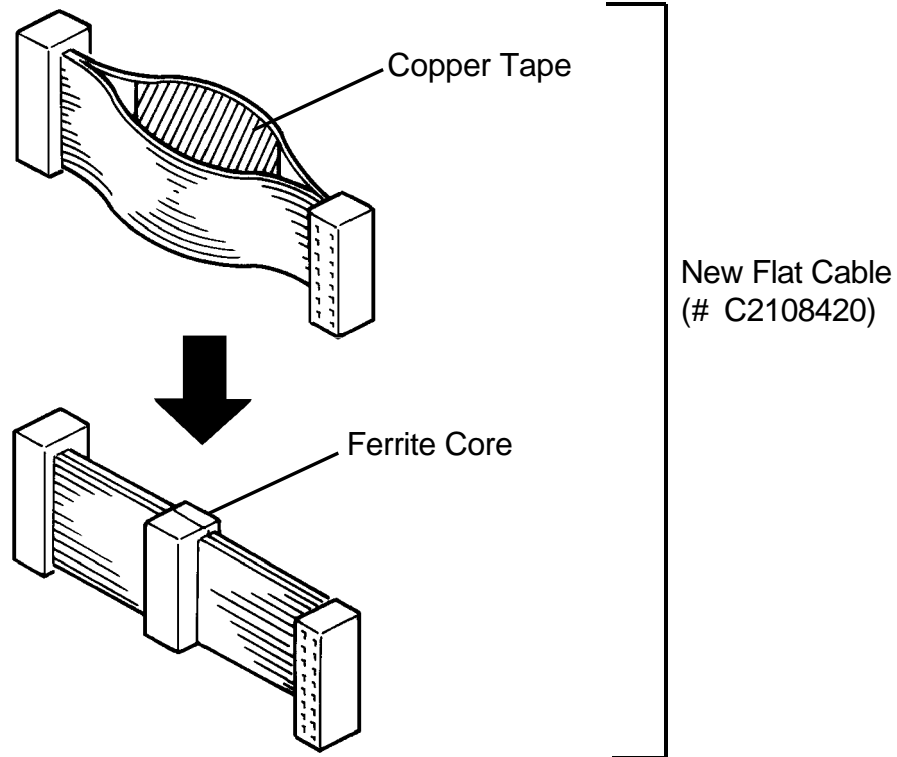


| Model | | NA2 (European & Taiwan versions only) | | | | | Volt/Hz | | Date of Modification | | Serial Number | | | |
|-------------------------|---------------|---------------------------------------|--|--------|-----------|-----|---------------------|---|----------------------|---------------|---------------|--|--|--|
| Modified Article | | | | | | | | | | | | | | |
| Reason for Modification | | To prevent thin white lines | | | | | | | | | | | | |
| | | | | | | | | | | | | | | |
| | | | | | | | | | | | | | | |
| Draw No. | Old Parts No. | New Parts No. | Description | A.B.C. | Q'ty Used | | Inter-changeability | Part needed for replacement by new part | | Parts Catalog | | | | |
| | | | | Rank | Old | New | | Part No. | Description | Index No. | Page | | | |
| | C2098151 | | Flat Cable - Main / IPB - 75mm | | 1 | 0 | | | | | | | | |
| | | C2108420 | Flat Cable - Main / IPB - 110/220/240V | | 0 | 1 | X/O | | | 16 | 85 | | | |
| | | | | | | | | | | | | | | |
| | | | | | | | | | | | | | | |
| | | | | | | | | | | | | | | |
| | | | | | | | | | | | | | | |
| | | | | | | | | | | | | | | |
| | | | | | | | | | | | | | | |
| | | | | | | | | | | | | | | |
| | | | | | | | | | | | | | | |
| | | | | | | | | | | | | | | |
| | | | | | | | | | | | | | | |
| | | | | | | | | | | | | | | |

Rank: A : Replace with new parts immediately. B : Replace with new parts at time of repair. C : Replace with new parts at time of overhaul.
 Interchangeability:
 (1) When old and new parts are not mutually interchangeable, use additional parts or an assembly part as indicated in "Parts needed for replacement by new part" to install the new part.
 (2) The mark to the left of the slash indicates whether the old part can be used in the new machine, and the mark to the right indicates whether the new part can be used in the old machine. x = Not interchangeable o = Interchangeable

DETAILS OF MODIFICATION

A few thin horizontal white lines may sometimes appear on prints (approximately one CCD pixel width line). This is caused by electrical noise generated in the flat cable ferrite core between the main board and image processing board. The electrical noise affects a signal line on the thermal head drive board. To clear the electrical noise a strip of an electrical conductive tape has been added inside the flat cable. (The previous type flat cable # C2098151 is still used for the USA version machines.)



T. Ito, Manager
Copier Technical Support

| MODEL NAME | V/Hz | DESTINATION | CODE | SERIAL NUMBER |
|--------------|-------------|--------------|---------|----------------------------|
| Ges 5375 | 120/60 | USA, Canada | C210-12 | |
| Ges 5375 | 110/60 | Taiwan | C210-13 | From After June Production |
| Rex 1280 | 110/60 | Taiwan | C210-14 | From After June Production |
| Rex 1280 | 120/60 | USA, Canada | C210-15 | |
| NSA CP375 | 120/60 | USA, Canada | C210-16 | |
| Ricoh VT3500 | 110/60 | Taiwan | C210-19 | From After June Production |
| Ges 5375 | 220, 240/50 | Europe, Asia | C210-22 | 50611050001 |
| Rex 1280 | 220, 240/50 | Europe, Asia | C210-24 | 50611050082 |
| NSA CP375 | 220, 240/50 | Europe, Asia | C210-25 | 50611050106 |
| Ricoh VT3500 | 220, 240/50 | Europe | C210-27 | C2791050001 |
| Ricoh VT3500 | 220, 240/50 | Asia | C210-29 | C2791050046 |

| | | | | |
|--------------------------------|--------------------------------|----------------|-----------------------------|----------------------|
| Model | NA2 | Volt/Hz | Date of Modification | Serial Number |
| Modified Article | Main Board ROM for 4 Languages | | | |
| Reason for Modification | At the field's request | | | |
| | | | | |
| | | | | |

The main board ROMs, which indicate guidance on the operation panel in French, German, Italian, or Spanish instead of English, have been registered as service parts.

| Page | Index | Part Number | Description |
|------|-------|-------------|--|
| 115 | 11 | C2108459 | IC - HN27C512G-17 - French LT (For the LT version machines) |
| 115 | 11 | C2108461 | IC - HN27C512G-17 - Spanish LT (For the LT version machines) |
| 115 | 11 | C2108450 | IC - HN27C512G-17 - German LT (For the A4 version machines) |
| 115 | 11 | C2108452 | IC - HN27C512G-17 - French LT (For the A4 version machines) |
| 115 | 11 | C2108455 | IC - HN27C512G-17 - Spanish LT (For the A4 version machines) |
| 115 | 11 | C2108457 | IC - HN27C512G-17 - Italian LT (For the A4 version machines) |

NOTE : These parts are not actually installed in the machine. They are only service parts.

T. Ito, Manager
Copier Technical Support

| MODEL NAME | V/Hz | DESTINATION | CODE | SERIAL NUMBER |
|--------------|-------------|--------------|---------|---------------|
| Ges 5375 | 120/60 | USA, Canada | C210-12 | |
| Ges 5375 | 110/60 | Taiwan | C210-13 | |
| Rex 1280 | 110/60 | Taiwan | C210-14 | |
| Rex 1280 | 120/60 | USA, Canada | C210-15 | |
| NSA CP375 | 120/60 | USA, Canada | C210-16 | |
| Ricoh VT3500 | 110/60 | Taiwan | C210-19 | |
| Ges 5375 | 220, 240/50 | Europe, Asia | C210-22 | |
| Rex 1280 | 220, 240/50 | Europe, Asia | C210-24 | |
| NSA CP375 | 220, 240/50 | Europe, Asia | C210-25 | |
| Ricoh VT3500 | 220, 240/50 | Europe | C210-27 | |
| Ricoh VT3500 | 220, 240/50 | Asia | C210-29 | |

| | | | | |
|--------------------------------|--------------------------|----------------|-----------------------------|----------------------|
| Model | NA2 | Volt/Hz | Date of Modification | Serial Number |
| Modified Article | Parts catalog | | | |
| Reason for Modification | Parts catalog correction | | | |
| | | | | |
| | | | | |

Correct your parts catalog as follows:

Page 11

1. Description Correction

| NRG/Ricoh | Index | Part Number | Incorrect Description | Correct Description |
|-----------|-------|-------------|--------------------------------------|---|
| NRG | 12 | C2102737 | Left Cover - LT | Left Cover - LT/TWN |
| Ricoh | 12 | C2102739 | Left Cover - LT | Left Cover |
| NRG | 15 | C2122857 | Decal - Main Switch - LT | Decal - Main Switch English |
| NRG | 33 | C2102812 | Decal - Drum Replacing - LT | Decal - Drum Replacing - English |
| NRG | 34 | C2102811 | Decal - Replacing The Drum Unit - LT | Decal - Replacing The Drum Unit - English |

2. Part Number Correction

| NRG/Ricoh | Index | Incorrect P/N | Correct P/N | Description |
|-----------|-------|---------------|-------------|-------------------------------|
| NRG | 39 | C2122779 | C2122879 | Decal - Operation Panel - NSA |

DETAILS OF MODIFICATION

Page 13

1. Description Correction

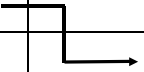
| NRG/Ricoh | Index | Part Number | Incorrect Description | Correct Description |
|-----------|-------|-------------|-----------------------|---------------------|
| Ricoh | 15 | C2108401 | AC Drive Harness | DC Drive Harness |

Page 15

1. Description Correction

| NRG/Ricoh | Index | Part Number | Incorrect Description | Correct Description |
|-----------|-------|-------------|--------------------------|------------------------------|
| Common | 27 | C2108439 | Safety Switch - 220/240V | Safety Switch - 110/220/240V |
| NRG | 30 | C2018158 | Transformer - 110/105V | Transformer - 110/105V - TWN |

2. Part Number Correction

| NRG/Ricoh | Index | Incorrect P/N | Correct P/N | Description |
|-----------|-------|---------------|---|------------------------------|
| Ricoh | 30 | C2108155 | C2018155 | Transformer - 220/240V |
| Ricoh | 30 | C2108158 |  C2018158 | Transformer - 115V |
| | | | | Transformer - 110/105V - TWN |

Page 23

1. Part Number Correction

| NRG/Ricoh | Index | Incorrect P/N | Correct P/N | Description |
|-----------|-------|---------------|-------------|---------------------------------|
| Common | 31 | C2098113 | C2108113 | Harness - Paper Detection Board |

DETAILS OF MODIFICATION

Page 25

1. Description Correction

| NRG/Ricoh | Index | Part Number | Incorrect Description | Correct Description |
|-----------|-------|-------------|----------------------------------|---------------------------------------|
| NRG | 5 | C2102751 | Lever Cover - Paper Feed - LT | Lever Cover - Paper Feed - LT/TWN |
| NRG | 6 | C2102785 | Decal - Table Down - LT | Decal - Table Down - LT/TWN |
| NRG | 7 | C2102786 | Decal - Paper Feed Pressure - LT | Decal - Paper Feed Pressure - English |

Page 51

1. Not Listed

| NRG/Ricoh | Index | Part Number | Description | Q'ty |
|-----------|-------|-------------|--------------------------|------|
| Common | 12 | C5284817 | Metal Screw - A4/LT Drum | 1 |

Page 52

1. Add two parts and index numbers in the illustration as shown in Drawing No.1

Page 53

1. Not Listed

| NRG/Ricoh | Index | Part Number | Description | Q'ty |
|-----------|-------|-------------|--|-----------------------|
| Common | 14 | C5284900 | Rear Drum Frame & A4 Cam Ass'y | 1 |
| Common | 18 | C5284851 | Teflon Screen - A4/LT Drum | 1 |
| Common | 23 | C5274549 | Screen Plate Spring - A4/LT Drum | 2 |
| Common | * 28 | C5288173 | Short Connector - A4/LT Color Indication | 1 (See Drawing No. 1) |
| Common | * 29 | C5288172 | Relay Harness - A4/LT Drum | 1 (See Drawing No. 1) |

* : New Index

DETAILS OF MODIFICATION

2. Description Correction

| NRG/Ricoh | Index | Part Number | Incorrect Description | Correct Description |
|-----------|-------|-------------|-----------------------|-------------------------------------|
| Common | 1 | C2098169 | Short Harness | Short Harness - A3 Black Drum |
| Common | 2 | C5268172 | Relay Harness | Relay Harness - A3 Color Indication |

Page 57

1. Description Correction

| NRG/Ricoh | Index | Part Number | Incorrect Description | Correct Description |
|-----------|-------|-------------|-----------------------------|----------------------------------|
| Ricoh | * | C2103194 | Original Table Ass'y - LT | Original Table Ass'y |
| NRG | 10 | C2102798 | Decal - Original Table - LT | Decal - Original Table - English |

2. Part Number Correction

| NRG/Ricoh | Index | Incorrect P/N | Correct P/N | Description |
|-----------|-------|---------------|-------------|--------------------------|
| Ricoh | 16 | C2093028 | C2093019 | Side Fence Gear |
| Ricoh | 17 | C2093058 | C2093059 | Shielding Plate - Sensor |

3. Delete the following part

| NRG/Ricoh | Index | Part Number | Description |
|-----------|-------|-------------|-------------------|
| Ricoh | 18 | H0061091 | Front Fulcrum Pin |

DETAILS OF MODIFICATION

Page 59

1. Description Correction

| NRG/Ricoh | Index | Part Number | Incorrect Description | Correct Description |
|-----------|-------|-------------|-----------------------------|----------------------------------|
| NRG | 27 | C2122864 | Decal - Open Carefully - LT | Decal - Open Carefully - English |
| NRG | 28 | C2122865 | Decal - ADF ON/OFF - LT | Decal - ADF ON/OFF - English |

Page 62

1. Correct a index number in the illustration as shown in Drawing No. 2.

Page 63

1. Part Number Correction

| NRG/Ricoh | Index | Incorrect P/N | Correct P/N | Description | Q'ty |
|-----------|-------|---------------|-------------|------------------|------|
| NRG | 34 | AW020021 | | Photointerrupter | 4 |
| | | | C2033065 | Guide Plate | 1 |

2. Delete the following index number from the list.

| NRG/Ricoh | Index | Part Number | Description |
|-----------|-------|-------------|-------------|
| NRG | 34 | C2033065 | Guide Plate |

DETAILS OF MODIFICATION

3. Not Listed

| NRG/Ricoh | Index | Part Number | Description |
|-----------|-------|-------------|--------------------------------------|
| NRG | * 119 | 14030690 | Photointerrupter (See Drawing No. 2) |

* : New Index

Page 65

1. Description Correction

| NRG/Ricoh | Index | Part Number | Incorrect Description | Correct Description |
|-----------|-------|-------------|-------------------------------------|---|
| NRG | 21 | C2103219 | Right Cover - Fluorescent Lamp - LT | Right Cover - Fluorescent Lamp - LT/TWN |
| NRG | 22 | C2122860 | Decal - Master Eject Open - LT | Decal - Master Eject Open - English |

Page 71

1. Description Correction

| NRG/Ricoh | Index | Part Number | Incorrect Description | Correct Description |
|-----------|-------|-------------|-----------------------------|---------------------------------|
| Common | 1 | C2104232 | Cutter Unit Cover - LT | Cutter Unit Cover - LT/TWN |
| Common | 2 | C2102794 | Decal - Master Setting - LT | Decal - Master Setting - LT/TWN |

Page 82

1. Correct a index number in the illustration as shown in Drawing No. 3. (NRG version only)

DETAILS OF MODIFICATION

Page 83

1. Part Number Correction

| NRG/Ricoh | Index | Incorrect P/N | Correct P/N | Description |
|-----------|-------|---------------|-------------|--|
| NRG | 3 | C2102180 | C2092105 | Drum Sensor Bracket |
| NRG | 109 | 12042269 | 12041442 | Microswitch |
| | | 12042227 | | Microswitch |
| | | | | Microswitch - 115V (For the US version machines only) |

2. Not Listed

| NRG/Ricoh | Index | Part Number | Description |
|-----------|-------|-------------|--|
| NRG | * 119 | 12041442 | Microswitch (For all version machines) |

See Drawing No. 3

* : New Index

3. Description Correction

| NRG/Ricoh | Index | Part Number | Incorrect Description | Correct Description |
|-----------|-------|-------------|--------------------------|-------------------------------|
| Common | 4 | C2108412 | Power Supply Cord - LT | Power Supply Cord - 110/115V |
| Common | 4 | C2108429 | Power Supply Cord - A4 | Power Supply Cord - 220/240V |
| NRG | 14 | C2122869 | Master Cutter Decal - LT | Master Cutter Decal - English |
| Common | 102 | 16020991 | Noise Filter - 115V | Noise Filter - 110/115V |
| NRG | 109 | 12042267 | Microswitch | Microswitch - 110/220/240V |

DETAILS OF MODIFICATION

Page 84

1. Correct index numbers in the illustration as shown in Drawing No. 4.

Page 85

1. Description Correction

| NRG/Ricoh | Index | Part Number | Incorrect Description | Correct Description |
|-----------|-------|-------------|---------------------------|---|
| Common | 102 | 12041442 | Microswitch | Microswitch - 115V |
| Common | 102 | 12042267 | Microswitch - V-162-3C25 | Microswitch - V-162-3C25 - 110/220/240V |
| NRG | 117 | 11070707 | Circuit Breaker - 5A 250V | Circuit Breaker - 5A 250V (220/240V) |
| Common | 117 | 11070708 | Circuit Breaker - 6A 250V | Circuit Breaker - 6A 250V (110/115V) |

2. Not Listed

| NRG/Ricoh | Index | Part Number | Description |
|-----------|-------|-------------|-------------------------------------|
| Ricoh | 117 | 11070707 | Circuit Braker - 5A 250V (220/240V) |
| Common | * 118 | 12042239 | Microswitch |
| Common | * 119 | 12041442 | Microswitch |

* : New Index (See Drawing No. 4)

Page 107

1. Description Correction

| NRG/Ricoh | Index | Part Number | Incorrect Description | Correct Description |
|-----------|-------|-------------|-----------------------|----------------------|
| NRG | 1 | C2098305 | Thermostat | Thermostat - 115V |
| NRG | 6 | C2098310 | Heat Sink - 2 | Heat Sink - 2 - 115V |

DETAILS OF MODIFICATION

2. Not Listed

| NRG/Ricoh | Index | Part Number | Description | Q'ty |
|-----------|-------|-------------|------------------------------|------|
| NRG | 1 | C2108305 | Thermostat - 110/220/240V | 1 |
| NRG | 6 | C2108310 | Heat Sink - 2 - 110/220/240V | 1 |

Page 113

1. Description Correction

| NRG/Ricoh | Index | Part Number | Incorrect Description | Correct Description0 |
|-----------|-------|-------------|--------------------------------------|---|
| NRG | 1 | C2122869 | Master Cutter Decal - LT | Master Cutter Decal - English |
| NRG | 3 | C2122857 | Decal - Main Switch -LT | Decal - Main Switch - English |
| NRG | 4 | C2102785 | Decal - Paper Table Down - LT | Decal - Paper Table Down - LT/TWN |
| NRG | 5 | C2122865 | Decal - ADF ON/OFF - LT | Decal - ADF ON/OFF - English |
| NRG | 7 | C2102811 | Decal - Replacing The Drum Unit - LT | Decal - Replacing The Drum Unit - English |
| NRG | 8 | C2122860 | Decal - Master Eject Open - LT | Decal - Master Eject Open - English |
| NRG | 9 | C2102786 | Decal - Paper Pressure - LT | Decal - Paper Pressure - English |
| Common | 11 | C2102794 | Decal - Master Setting - LT | Decal - Master Setting - LT/TWN |
| NRG | 15 | C2102798 | Decal - Original Table - LT | Decal - Original Table - English |
| NRG | 17 | C2122864 | Decal - Open Carefully - LT | Decal - Open Carefully - English |
| NRG | 21 | C2102812 | Decal - Drum Replacing - LT | Decal - Drum Replacing - English |



DETAILS OF MODIFICATION

2. Delete the following part numbers from the list.

| NRG/Ricoh | Index | Part Number | Description |
|-----------|-------|-------------|-----------------------------------|
| NRG | 25 | C2108630 | Make-up O/I - English (GES) |
| NRG | 25 | C2108632 | Make-up O/I - French (GES) |
| NRG | 25 | C2108631 | Make-up O/I - German (GES) |
| NRG | 25 | C2108633 | Make-up O/I - Italian (GES) |
| NRG | 25 | C2108634 | Make-up O/I - Spanish (GES) |
| NRG | 25 | C2108650 | Make-up O/I - English (REX) |
| NRG | 25 | C2108652 | Make-up O/I - French (REX) |
| NRG | 25 | C2108651 | Make-up O/I - German (REX) |
| NRG | 25 | C2108653 | Make-up O/I - Italian (REX) |
| NRG | 25 | C2108654 | Make-up O/I - Spanish (REX) |
| NRG | 25 | C2108670 | Make-up O/I - English (NSA) |
| NRG | 25 | C2108672 | Make-up O/I - French (NSA) |
| NRG | 25 | C2108671 | Make-up O/I - German (NSA) |
| NRG | 25 | C2108673 | Make-up O/I - Italian (NSA) |
| NRG | 25 | C2108674 | Make-up O/I - Spanish (NSA) |
| NRG | 25 | C2108657 | Make-up O/I - English - LT (REX) |
| NRG | 25 | C2108677 | Make-up O/I - English - LT (NSA) |
| NRG | 25 | C2108638 | Make-up O/I - English - TWN (GES) |
| NRG | 25 | C2108658 | Make-up O/I - English - TWN (REX) |

DETAILS OF MODIFICATION

3. Part Number Correction

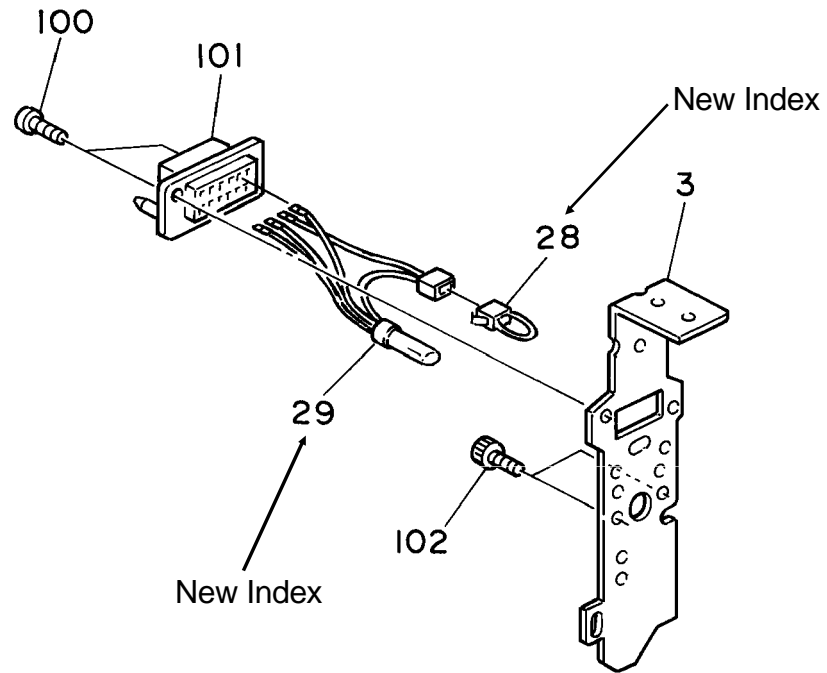
| NRG/Ricoh | Index | Incorrect P/N | Correct P/N | Description |
|-----------|-------|---------------|-------------|-------------------------------|
| NRG | 26 | C2122779 | C2122879 | Decal - Operation Panel - NSA |

NOTE : The following sub-descriptions show suitable machine version.
 LT or 115V : For the USA version machines
 A4 : For the European and Taiwan version machines
 TWN or 110V : For the Taiwan version machines
 220/240V : For the European version machines

T. Ito, Manager
 Copier Technical Support

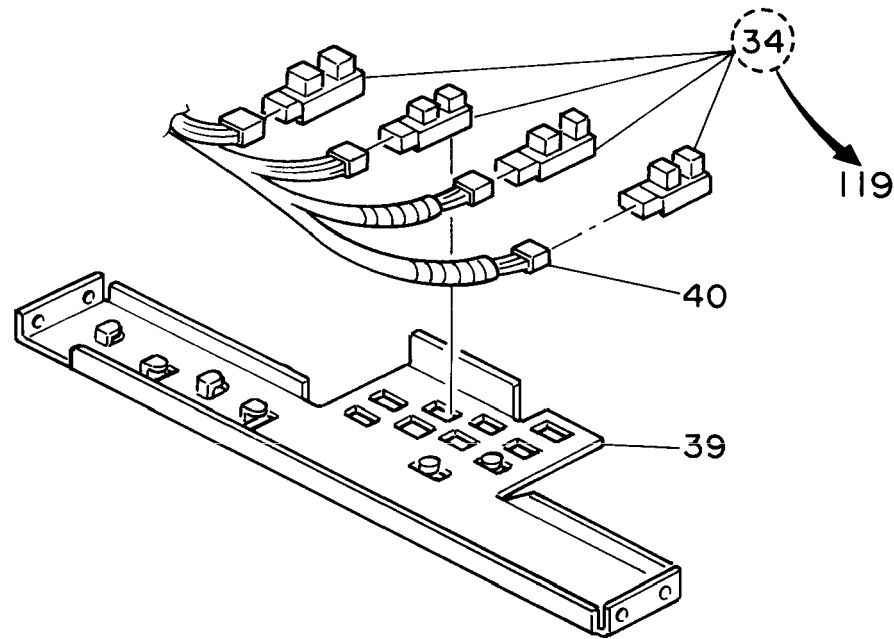
DETAILS OF MODIFICATION

Drawing No. 1



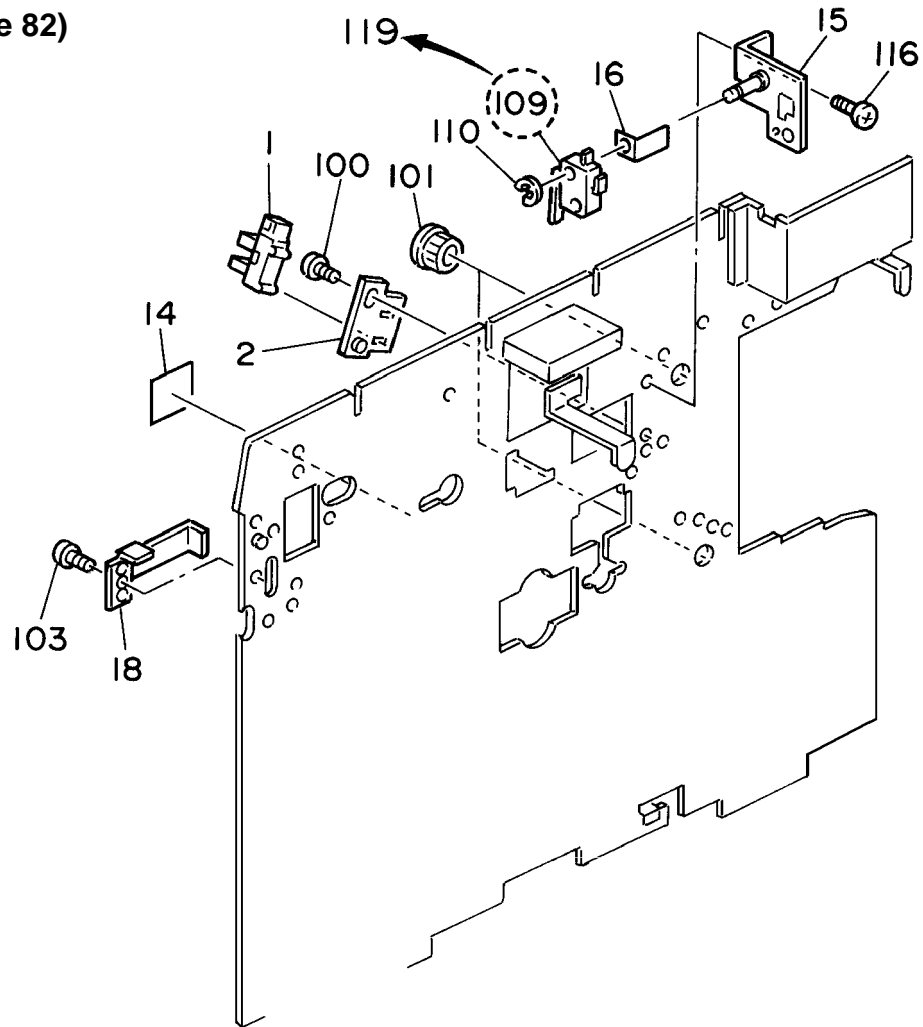
DETAILS OF MODIFICATION

Drawing No. 2 (Page 62)



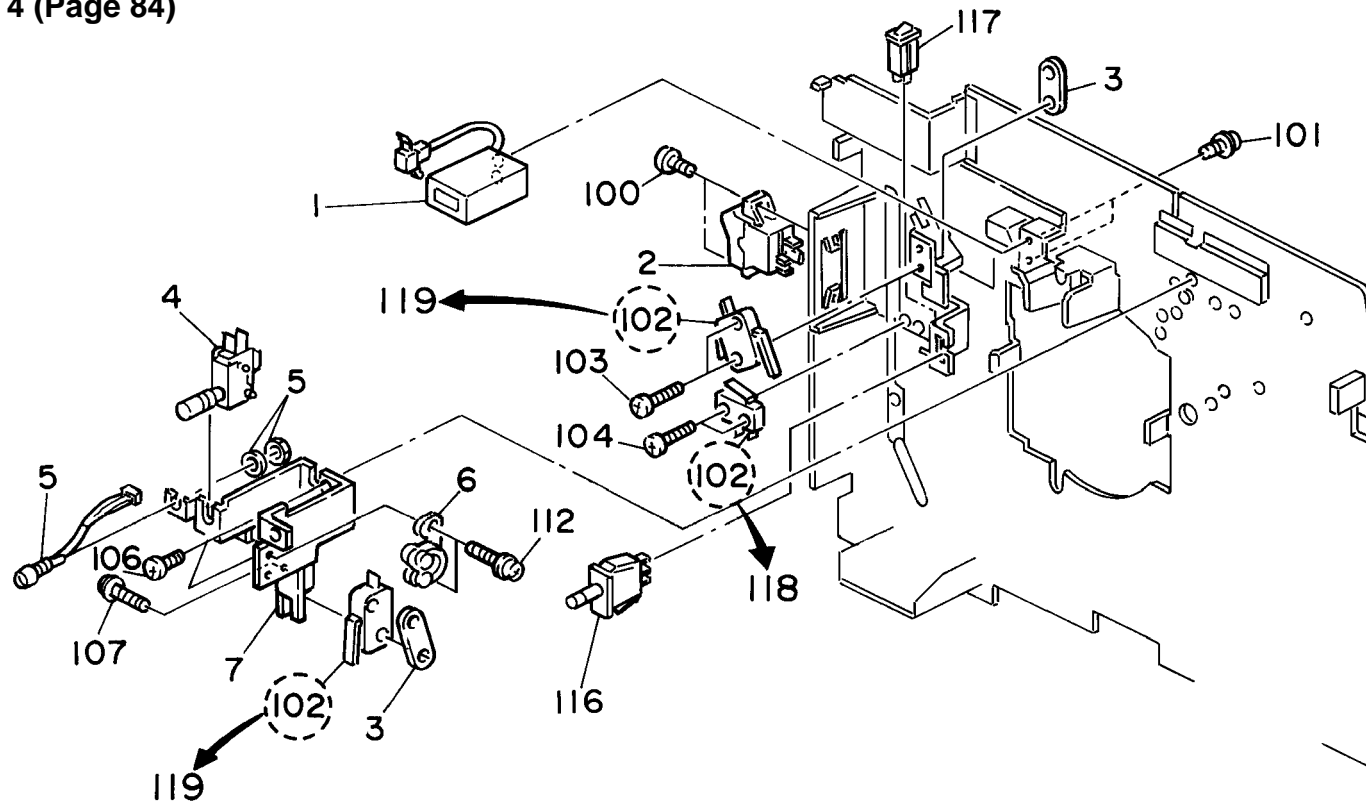
DETAILS OF MODIFICATION

Drawing No. 3 (Page 82)



DETAILS OF MODIFICATION

Drawing No. 4 (Page 84)



| MODEL NAME | V/Hz | DESTINATION | CODE | SERIAL NUMBER |
|--------------|-------------|--------------|---------|---------------|
| Ges 5375 | 120/60 | USA, Canada | C210-12 | |
| Ges 5375 | 110/60 | Taiwan | C210-13 | |
| Rex 1280 | 110/60 | Taiwan | C210-14 | |
| Rex 1280 | 120/60 | USA, Canada | C210-15 | |
| NSA CP375 | 120/60 | USA, Canada | C210-16 | |
| Ricoh VT3500 | 110/60 | Taiwan | C210-19 | |
| Ges 5375 | 220, 240/50 | Europe, Asia | C210-22 | |
| Rex 1280 | 220, 240/50 | Europe, Asia | C210-24 | |
| NSA CP375 | 220, 240/50 | Europe, Asia | C210-25 | |
| Ricoh VT3500 | 220, 240/50 | Europe | C210-27 | |
| Ricoh VT3500 | 220, 240/50 | Asia | C210-29 | |

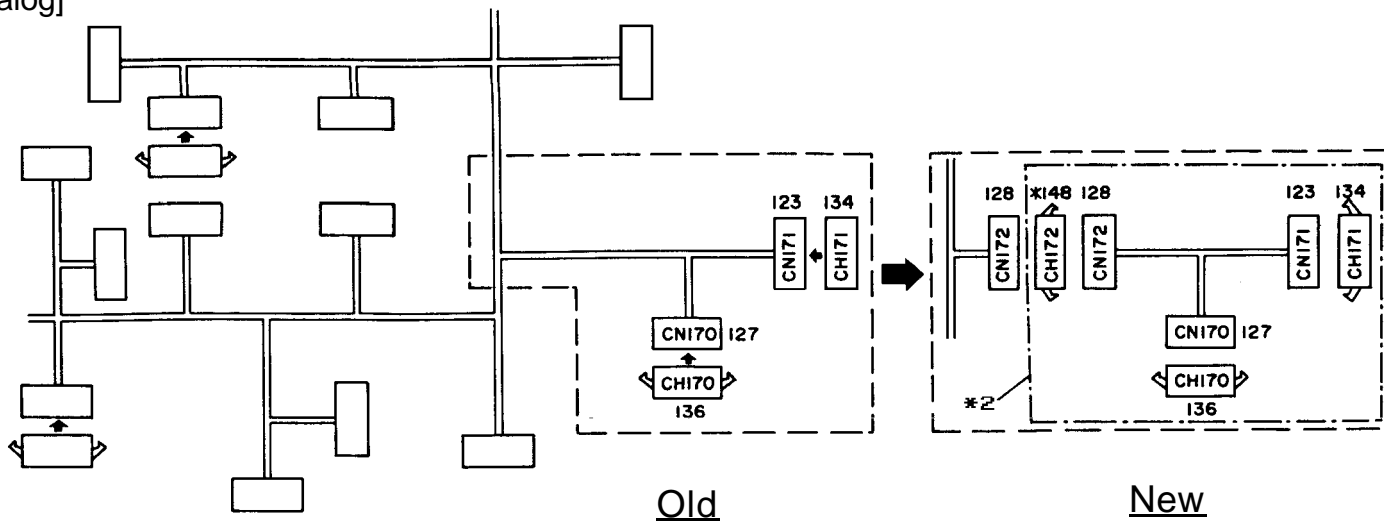
| Model | | NA2 | | | | | Volt/Hz | Date of Modification | Serial Number | |
|-------------------------|---------------|-------------------------|----------------------------------|--------|------------------------|---------------------|---|----------------------|---------------|------|
| Modified Article | | DC Drive Harness | | | | | | | | |
| Reason for Modification | | To facilitate servicing | | | | | | | | |
| Draw No. | Old Parts No. | New Parts No. | Description | A.B.C. | Q'ty Used Old → New | Inter-changeability | Part needed for replacement by new part | | Parts Catalog | |
| | | | | Rank | | | Part No. | Description | Index No. | Page |
| | C2108401 | C2108415 | DC Drive Harness | | 1 → 1 | X/X | X | X/O as a set | 1 | 109 |
| | | C2108418 | Interface Harness - Paper Return | | 0 → 1 | X/X | | | * 2 | 109 |
| | | 11024431 | CT Connector - 8P | | 0 → 1 | | | | * 148 | 109 |
| | | | | | | | | * : New Index | | |
| | | | | | | | | | | |
| | | | | | | | | | | |
| | | | | | | | | | | |
| | | | | | | | | | | |
| | | | | | | | | | | |
| | | | | | | | | | | |

Rank: A : Replace with new parts immediately. B : Replace with new parts at time of repair. C : Replace with new parts at time of overhaul.
 Interchangeability:
 (1) When old and new parts are not mutually interchangeable, use additional parts or an assembly part as indicated in "Parts needed for replacement by new part" to install the new part.
 (2) The mark to the left of the slash indicates whether the old part can be used in the new machine, and the mark to the right indicates whether the new part can be used in the old machine. x = Not interchangeable o = Interchangeable

DETAILS OF MODIFICATION

When removing the paper feed front plate, it is necessary to disconnect two harness for the paper return motor and separation plate pressure release solenoid. To facilitate servicing at that time, the DC drive harness has been changed. Now the connector (CN172) can be disconnected near the paper feed front plate.

[Page 108 in the parts catalog]



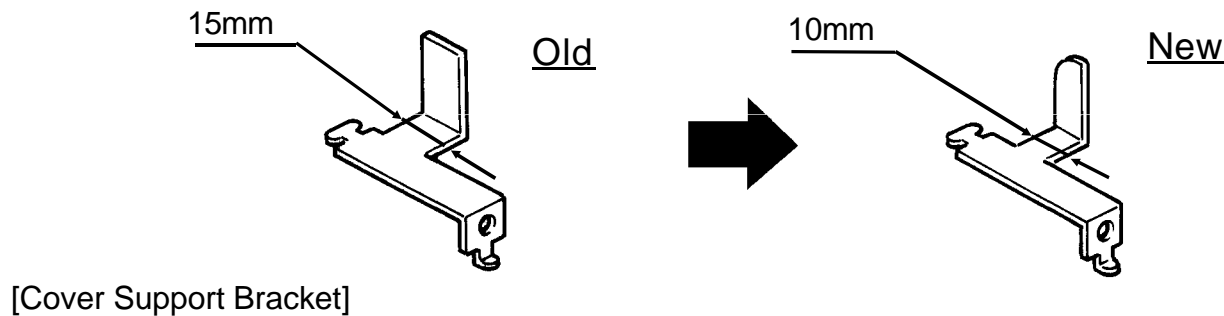
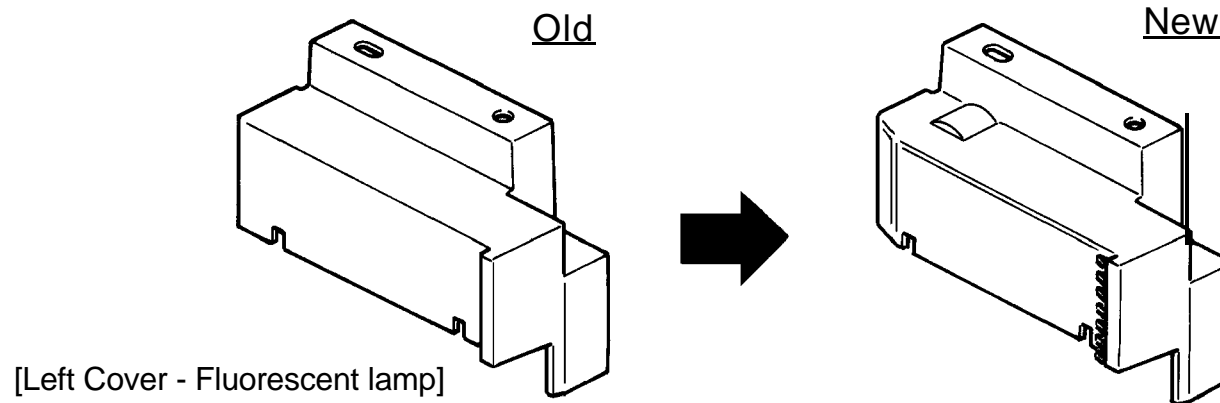
| MODEL NAME | V/Hz | DESTINATION | CODE | SERIAL NUMBER |
|--------------|-------------|--------------|---------|----------------------------|
| Ges 5375 | 120/60 | USA, Canada | C210-12 | 50621060001 |
| Ges 5375 | 110/60 | Taiwan | C210-13 | 50631070001 |
| Rex 1280 | 110/60 | Taiwan | C210-14 | From August '91 production |
| Rex 1280 | 120/60 | USA, Canada | C210-15 | From August '91 production |
| NSA CP375 | 120/60 | USA, Canada | C210-16 | From August '91 production |
| Ricoh VT3500 | 110/60 | Taiwan | C210-19 | From August '91 production |
| Ges 5375 | 220, 240/50 | Europe, Asia | C210-22 | 50611060001 |
| Rex 1280 | 220, 240/50 | Europe, Asia | C210-24 | From August '91 production |
| NSA CP375 | 220, 240/50 | Europe, Asia | C210-25 | 50611060069 |
| Ricoh VT3500 | 220, 240/50 | Europe | C210-27 | C2791060001 |
| Ricoh VT3500 | 220, 240/50 | Asia | C210-29 | C2791060046 |

| Model | | NA2 | | | | | Volt/Hz | Date of Modification | Serial Number | | |
|-------------------------|---------------|--|---------------------------------------|--------|------------------------|---------------------|---|----------------------|---------------|------|----|
| Modified Article | | Left Cover - Fluorescent Lamp, Cover Support Bracket | | | | | | | | | |
| Reason for Modification | | To improve the handling of the scanner unit | | | | | | | | | |
| Draw No. | Old Parts No. | New Parts No. | Description | A.B.C. | Q'ty Used Old → New | Inter-changeability | Part needed for replacement by new part | | Parts Catalog | | |
| | | | | Rank | | | Part No. | Description | Index No. | Page | |
| | C2093069 | C2093169 | Cover Support Bracket | | | X/X | | X/O as a set | | 7 | 65 |
| | | | | | | | | | | | |
| | C2103221 | C2103241 | Left Cover - Fluorescent Lamp - NRG | | | X/X | | | | 8 | 65 |
| | C2093077 | C2093177 | Left Cover - Fluorescent Lamp - Ricoh | | | X/X | | | 8 | 65 | |
| | | | | | | | | | | | |
| | | | | | | | | | | | |
| | | | | | | | | | | | |
| | | | | | | | | | | | |
| | | | | | | | | | | | |
| | | | | | | | | | | | |

Rank: A : Replace with new parts immediately. B : Replace with new parts at time of repair. C : Replace with new parts at time of overhaul.
 Interchangeability:
 (1) When old and new parts are not mutually interchangeable, use additional parts or an assembly part as indicated in "Parts needed for replacement by new part" to install the new part.
 (2) The mark to the left of the slash indicates whether the old part can be used in the new machine, and the mark to the right indicates whether the new part can be used in the old machine. x = Not interchangeable o = Interchangeable

DETAILS OF MODIFICATION

The left and right fluorescent lamp covers have been changed so that an operator can grip them easily when opening the scanner unit. For the right cover, the improvement is minor and the part number has not been changed (# C2103219 for NRG USA/TAIWAN version, # C2103220 for NRG European version, # C2103223 for Ricoh version). However, the left fluorescent lamp cover has to be replaced with the cover support bracket (# C2093169) at the same time, so its part number has been changed as described on the first page.



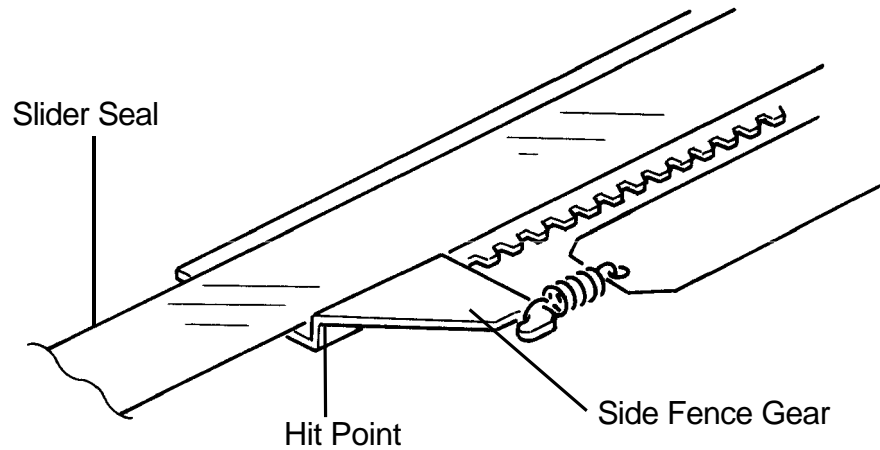
| MODEL NAME | V/Hz | DESTINATION | CODE | SERIAL NUMBER |
|--------------|-------------|--------------|---------|-----------------------------|
| Ges 5375 | 120/60 | USA, Canada | C210-12 | 50621070001 |
| Ges 5375 | 110/60 | Taiwan | C210-13 | From August '91 production |
| Rex 1280 | 110/60 | Taiwan | C210-14 | From August '91 production |
| Rex 1280 | 120/60 | USA, Canada | C210-15 | Fromr August '91 production |
| NSA CP375 | 120/60 | USA, Canada | C210-16 | From August '91 production |
| Ricoh VT3500 | 110/60 | Taiwan | C210-19 | From August '91 production |
| Ges 5375 | 220, 240/50 | Europe, Asia | C210-22 | 50611070001 |
| Rex 1280 | 220, 240/50 | Europe, Asia | C210-24 | From August '91 production |
| NSA CP375 | 220, 240/50 | Europe, Asia | C210-25 | 50611070071 |
| Ricoh VT3500 | 220, 240/50 | Europe | C210-27 | C2791070001 |
| Ricoh VT3500 | 220, 240/50 | Asia | C210-29 | From August '91 production |

| Model | | NA2 | | | | | Volt/Hz | Date of Modification | Serial Number | |
|-------------------------|---------------|--|-----------------------------------|--------|------------------------|---------------------|---|----------------------|---------------|------|
| Modified Article | | Side Fence Gear, etc. | | | | | | | | |
| Reason for Modification | | To make the original side guides move smoother | | | | | | | | |
| Draw No. | Old Parts No. | New Parts No. | Description | A.B.C. | Q'ty Used Old → New | Inter-changeability | Part needed for replacement by new part | | Parts Catalog | |
| | | | | Rank | | | Part No. | Description | Index No. | Page |
| | C2093059 | C2093058 | Shielding Plate - Sensor | | 1 → 1 | X/X | --- | X/O as a set | 17 | 57 |
| | | 08025207 | Pan Head Tapping Screw - M2.6 X 3 | | 0 → 1 | | --- | | * 18 | 57 |
| | C2093019 | C2093028 | Side Fence Gear - Ricoh | | 2 → 2 | X/X | --- | | 16 | 57 |
| | C2103218 | C2103231 | Side Fence Gear - NRG | | 2 → 2 | X/X | --- | | 16 | 57 |
| | | | | | | | | * : New Index | | |
| | | | | | | | | | | |
| | | | | | | | | | | |
| | | | | | | | | | | |
| | | | | | | | | | | |
| | | | | | | | | | | |
| | | | | | | | | | | |

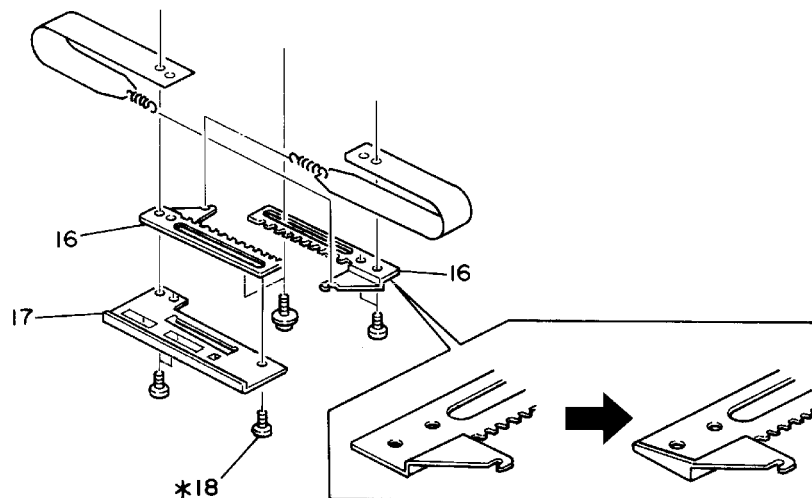
Rank: A : Replace with new parts immediately. B : Replace with new parts at time of repair. C : Replace with new parts at time of overhaul.
 Interchangeability:
 (1) When old and new parts are not mutually interchangeable, use additional parts or an assembly part as indicated in "Parts needed for replacement by new part" to install the new part.
 (2) The mark to the left of the slash indicates whether the old part can be used in the new machine, and the mark to the right indicates whether the new part can be used in the old machine. x = Not interchangeable o = Interchangeable

DETAILS OF MODIFICATION

When an operator moves the original side guides to adjust them to the original width, the slider seals (mylar strips : C2093093) tend to be caught by the edge of the side fence gears (See figure). This may cause the operation of the original side guides to be hard.



To make the original guides move smoother, the shape of the side fence gears has been changed as shown in the below figure. At the same time, the sensor shielding plate (Index 17) has been secured with the side fence gears by a screw (Index 18) in order to remove play.



T. Ito, Manager
Copier Technical Support

| MODEL NAME | V/Hz | DESTINATION | CODE | SERIAL NUMBER |
|--------------|-------------|--------------|---------|----------------------------|
| Ges 5375 | 120/60 | USA, Canada | C210-12 | 50621060001 |
| Ges 5375 | 110/60 | Taiwan | C210-13 | 50631070001 |
| Rex 1280 | 110/60 | Taiwan | C210-14 | From August '91 production |
| Rex 1280 | 120/60 | USA, Canada | C210-15 | From August '91 production |
| NSA CP375 | 120/60 | USA, Canada | C210-16 | From August '91 production |
| Ricoh VT3500 | 110/60 | Taiwan | C210-19 | From August '91 production |
| Ges 5375 | 220, 240/50 | Europe, Asia | C210-22 | 50611060001 |
| Rex 1280 | 220, 240/50 | Europe, Asia | C210-24 | From August '91 production |
| NSA CP375 | 220, 240/50 | Europe, Asia | C210-25 | 50611060069 |
| Ricoh VT3500 | 220, 240/50 | Europe | C210-27 | C2791060001 |
| Ricoh VT3500 | 220, 240/50 | Asia | C210-29 | C2791060046 |

| | | | | |
|--------------------------------|------------------------------------|----------------|-----------------------------|----------------------|
| Model | NA2 (NRG only) | Volt/Hz | Date of Modification | Serial Number |
| Modified Article | Left Cover - LT (USA version only) | | | |
| Reason for Modification | As required by UL regulations | | | |

| Draw No. | Old Parts No. | New Parts No. | Description | A.B.C. | Q'ty Used Old - New | Inter-change-ability | Part needed for replacement by new part | | Parts Catalog | |
|----------|---------------|---------------|---------------------------------|--------|------------------------|----------------------|---|-------------|---------------|------|
| | | | | Rank | | | Part No. | Description | Index No. | Page |
| | C2102737 | C2102772 | Left Cover - LT/TWN | | 1 - - 1 | x/o | | | 12 | 11 |
| | | C2102803 | Warning Decal - Ink Replacement | | 0 - 1 | | | | *40 | 11 |
| | | | | | | | | | *: New Index | |
| | | | | | | | | | | |
| | | | | | | | | | | |
| | | | | | | | | | | |
| | | | | | | | | | | |
| | | | | | | | | | | |
| | | | | | | | | | | |
| | | | | | | | | | | |

Rank: A: Replace with new parts immediately. B : Replace with new parts at time of repair. C : Replace with new parts at time of overhaul.

Interchangeability:

(1) When old and new parts are not mutually interchangeable, use additional parts or an assembly part as indicated in "Parts needed for replacement by new part" to install the new part.

(2) The mark to the left of the slash indicates whether the old part can be used in the new machine, and the mark to the right indicates whether the new part can be used in the old machine. x = Not interchangeable o = Interchangeable

DETAILS OF MODIFICATION

As required by UL regulation, the following warning decal (P/N C2102803) has been added to the left cover used on US version machines. Due to this modification, the assembly part number for the left cover including the decals has been changed from C2102737 to C2102772.

P/N C2102803 (Warning Decal - Ink Replacement)

“WARNING - For continued protection against possible fire, use only PARAFFIN OIL base liquids classified 0-10 or lower with respect to fire hazard.”

HA



T. Ito, Manager
Copier Technical Support

| MODEL NAME | V/Hz | DESTINATION | CODE | SERIAL NUMBER |
|--------------|-------------|--------------|---------|------------------------------|
| Ges 5375 | 120/60 | USA, Canada | C210-12 | 50621070001 |
| Ges 5375 | 110/60 | Taiwan | C210-13 | |
| Rex 1280 | 110/60 | Taiwan | C210-14 | |
| Rex 1280 | 120/60 | USA, Canada | C210-15 | From after August production |
| NSA CP375 | 120/60 | USA, Canada | C210-16 | From after August production |
| Ricoh VT3500 | 110/60 | Taiwan | C210-19 | |
| Ges 5375 | 220, 240/50 | Europe, Asia | C210-22 | |
| Rex 1280 | 220, 240/50 | Europe, Asia | C210-24 | |
| NSA CP375 | 220, 240/50 | Europe, Asia | C210-25 | |
| Ricoh VT3500 | 220, 240/50 | Europe | C210-27 | |
| Ricoh VT3500 | 220, 240/50 | Asia | C210-29 | |

| | | | | |
|--------------------------------|---------------------------------|----------------|-----------------------------|----------------------|
| Model | NA2 (NRG European version only) | Volt/Hz | Date of Modification | Serial Number |
| Modified Article | Decals | | | |
| Reason for Modification | Additional Information | | | |
| | | | | |
| | | | | |

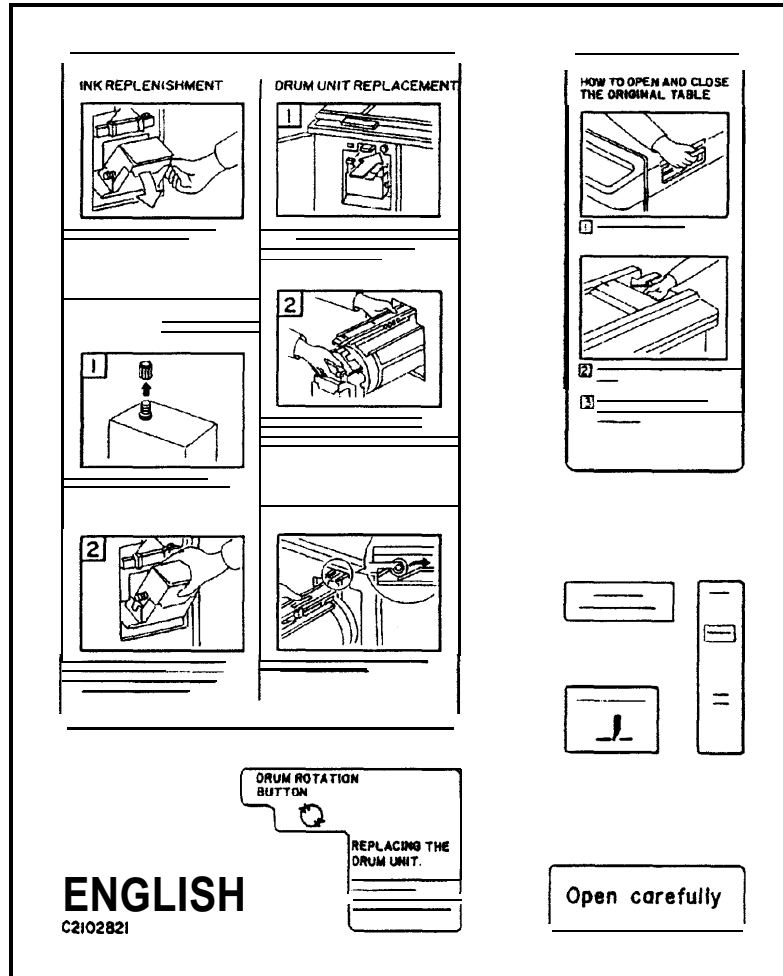
The following decals have been added as accessories for the European machines.

| Part Number | Description | Page | Index |
|-----------------|-----------------------------------|------------|------------|
| C2032797 | Decal - Drum Caution -4 Languages | 113 | 2 |
| C2122796 | Decal - Main Switch -5 Languages | 113 | 3 |
| C2102821 | Large Decal Sheet - English | 113 | *27 |
| C2102822 | Large Decal Sheet - German | 113 | *27 |
| C2102823 | Large Decal Sheet - French | 113 | *27 |
| C2102824 | Large Decal Sheet - Italian | 113 | *27 |
| C2102825 | Large Decal Sheet - Spanish | 113 | *27 |
| C2102831 | Small Decal Sheet - English | 113 | *28 |
| C2102832 | Small Decal Sheet - German | 113 | *28 |
| C2102833 | Small Decal Sheet - French | 113 | *28 |
| C2102834 | Small Decal Sheet - Italian | 113 | *28 |
| C2102835 | Small Decal Sheet - Spanish | 113 | *28 |

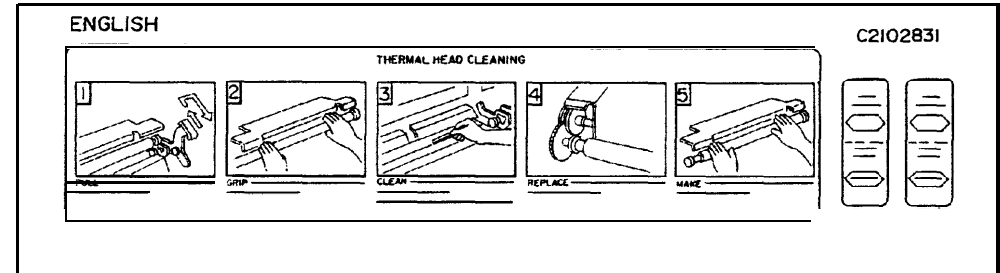
* New index

DETAILS OF MODIFICATION

Index 28



Large Decal Sheet - English (German, French, Italian, Spanish)



Small Decal Sheet - English (German, French, Spanish, Italian)

Index27

T. Ito, Manager
Copier Technical Support

| MODEL NAME | V/Hz | DESTINATION | CODE | SERIAL NUMBER |
|--------------|-------------|--------------|----------------|---------------|
| Ges 5375 | 120/60 | USA, Canada | C210-12 | / |
| Ges 5375 | 110/60 | Taiwan | C210-13 | |
| Rex 1280 | 110/60 | Taiwan | C210-14 | |
| Rex 1280 | 120/60 | USA, Canada | C210-15 | |
| NSA CP375 | 120/60 | USA, Canada | C210-16 | |
| Ricoh VT3500 | 110/60 | Taiwan | C210-19 | |
| Ges 5375 | 220, 240/50 | Europe, Asia | C210-22 | 50611060001 |
| Rex 1280 | 220, 240/50 | Europe, Asia | C210-24 | 50611080116 |
| NSA CP375 | 220, 240/50 | Europe, Asia | C210-25 | 50611060069 |
| Ricoh VT3500 | 220, 240/50 | Europe | C210-27 | / |
| Ricoh VT3500 | 220, 240/50 | Asia | C210-29 | |

| Model | | NA2 | | | | | Volt/Hz | Date of Modification | Serial Number | |
|-------------------------|---------------|--------------------------------|-------------------------------------|--------|------------------------|---------------------|---|---------------------------|---------------|------|
| Modified Article | | Right Cover - Fluorescent Lamp | | | | | | | | |
| Reason for Modification | | Additional information | | | | | | | | |
| | | | | | | | | | | |
| | | | | | | | | | | |
| Draw No. | Old Parts No. | New Parts No. | Description | A.B.C. | Q'ty Used Old → New | Inter-changeability | Part needed for replacement by new part | | Parts Catalog | |
| | | | | Rank | | | Part No. | Description | Index No. | Page |
| | C2103220 | C2103230 | Right Cover - Fluorescent Lamp - A4 | | 1 → 1 | X/O | ┌ └ | | 21 | 65 |
| | | C2102800 | Caution Decal - Scanner Unit | | 0 → 1 | | | | *23 | 65 |
| | | | | | | | | NRG European version only | | |
| | | | | | | | | | | |
| | | | | | | | | | | |
| | | | | | | | | *New Index | | |
| | | | | | | | | | | |
| | | | | | | | | | | |

Rank: A : Replace with new parts immediately. B : Replace with new parts at time of repair. C : Replace with new parts at time of overhaul.

Interchangeability:

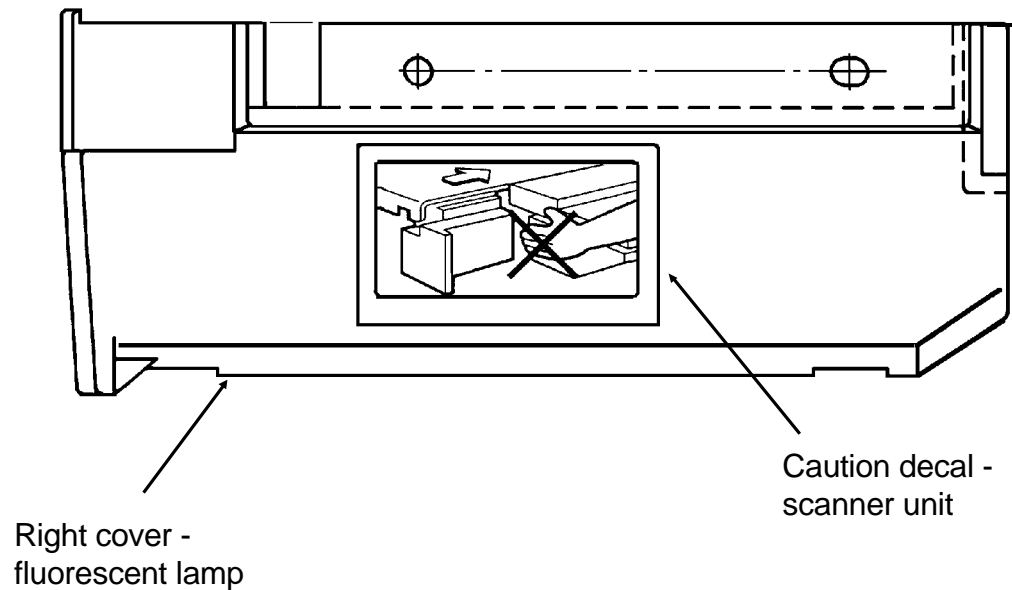
(1) When old and new parts are not mutually interchangeable, use additional parts or an assembly part as indicated in "Parts needed for replacement by new part" to install the new part.

(2) The mark to the left of the slash indicates whether the old part can be used in the new machine, and the mark to the right indicates whether the new part can be used in the old machine. x = Not interchangeable o = Interchangeable

DETAILS OF MODIFICATION

A caution decal is added to the right fluorescent lamp cover to tell to the customers not to catch their hands between the scanner unit and the main body.

The part number of the right cover - fluorescent lamp for the NRG Europe version has been changed. In the other models, only the suffix has been changed. This is because the right fluorescent lamp cover for the NRG Europe version did not have subcomponents and a new part number is necessary for the cover with the decal. The other models have a subcomponent (decal - master eject open) so that a new part number is not necessary.



T. Ito, Manager
Copier Technical Support

| MODEL NAME | V/Hz | DESTINATION | CODE | SERIAL NUMBER |
|--------------|-------------|--------------|---------|-------------------------------|
| Ges 5375 | 120/60 | USA, Canada | C210-12 | 50621060001 |
| Ges 5375 | 110/60 | Taiwan | C210-13 | 50631070001 |
| Rex 1280 | 110/60 | Taiwan | C210-14 | From September '91 Production |
| Rex 1280 | 120/60 | USA, Canada | C210-15 | From September '91 Production |
| NSA CP375 | 120/60 | USA, Canada | C210-16 | From September '91 Production |
| Ricoh VT3500 | 110/60 | Taiwan | C210-19 | From September '91 Production |
| Ges 5375 | 220, 240/50 | Europe, Asia | C210-22 | 50611060001 |
| Rex 1280 | 220, 240/50 | Europe, Asia | C210-24 | 50611080116 |
| NSA CP375 | 220, 240/50 | Europe, Asia | C210-25 | 50611060069 |
| Ricoh VT3500 | 220, 240/50 | Europe | C210-27 | C2791060001 |
| Ricoh VT3500 | 220, 240/50 | Asia | C210-29 | C2791060046 |

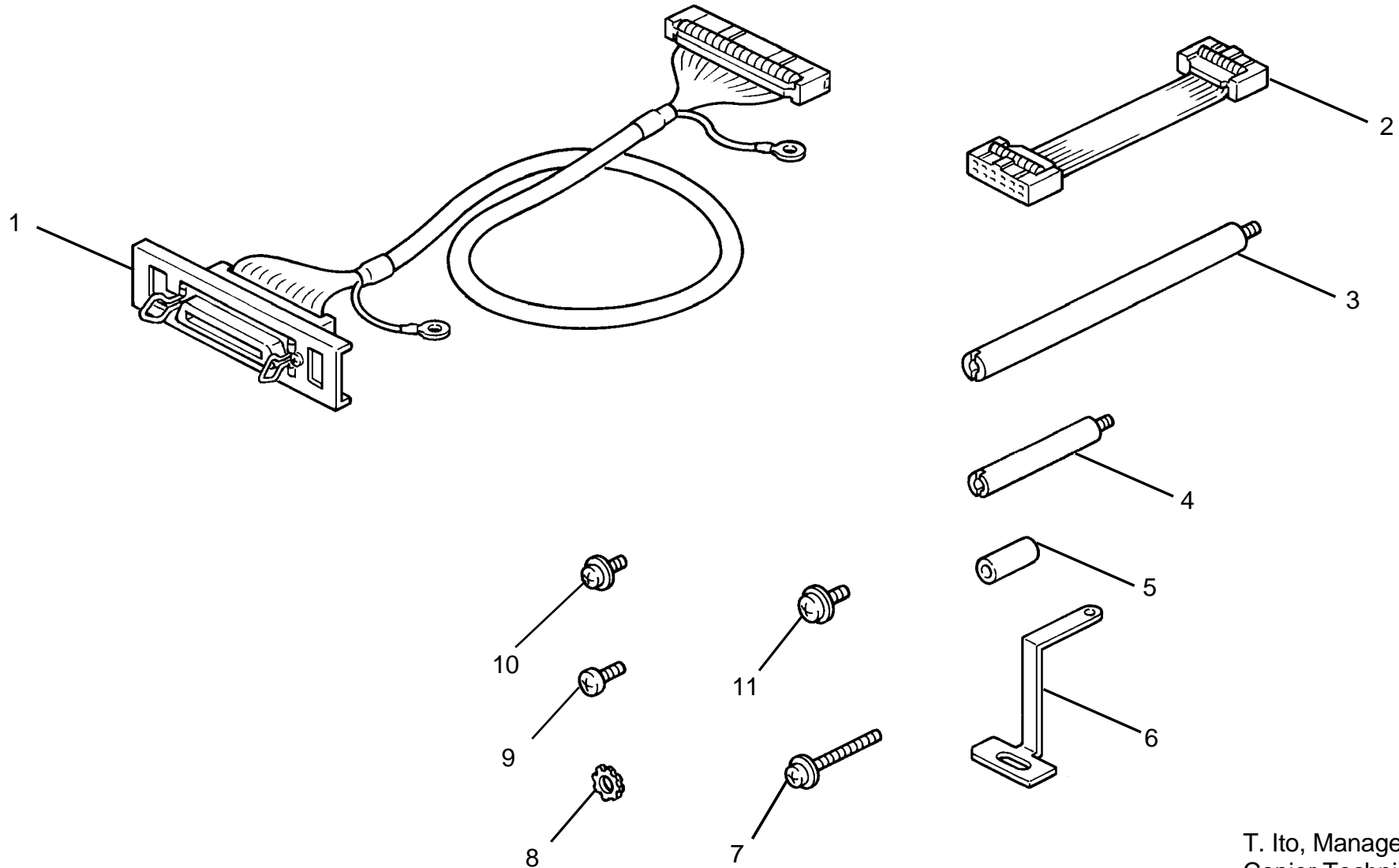
| | | | | |
|--------------------------------|------------------------|----------------|-----------------------------|----------------------|
| Model | NA2 (NRG only) | Volt/Hz | Date of Modification | Serial Number |
| Modified Article | Computer Interface kit | | | |
| Reason for Modification | Additional Information | | | |
| | | | | |
| | | | | |

*** The contents of Computer Interface kit mentioned in the previous M/B issued on Oct. 31, '91 were incorrect. Replace the M/B with this one.**

The production of Computer Interface kit (C536-07) for the Ges 5375 (Rex 1280/NSA CP375) has been started. Please add the following components to your parts catalog. (The whole unit is to be ordered from the sales section using EDP code.)

| Index | Part Number | Description | Q'ty |
|-------|-------------|--|------|
| 1 | C5315210 | Interface Harness | 1 |
| 2 | C5315230 | Interface Flat Cable | 1 |
| 3 | C5315300 | Stud - Interface Bracket | 2 |
| 4 | C2098500 | Stud - Main Board | 1 |
| 5 | C2032031 | Main Board Spacer | 1 |
| 6 | C5315310 | Interface Board Bracket | 1 |
| 7 | 09513025Z | Philips Screw with Flat Washer - M3 x 25 | 1 |
| 8 | 07050040B | Toothed Washer | 1 |
| 9 | 03140080Z | Philips Screw - M4 x 8 | 2 |
| 10 | 09513006Z | Philips Screw with Flat Washer - M3 x 6 | 2 |
| 11 | 09514006Z | Philips Screw with Flat Washer - M4 x 6 | 1 |

DETAILS OF MODIFICATION



T. Ito, Manager
Copier Technical Support

| | | | | |
|--------------------------------|--|----------------|-----------------------------|----------------------|
| Model | NA2 (NRG European version only) | Volt/Hz | Date of Modification | Serial Number |
| Modified Article | Operation Instruction Sheet | | | |
| Reason for Modification | NRG request | | | |
| | | | | |
| | | | | |

The following 0/I sheets have been added as accessories for the European machines.

| Part Number | Description | Page | Index No.3 |
|-------------|---------------------------------------|------|------------|
| C2108741 | Operation Instructing Sheet - German | 113 | 23 |
| C2108742 | Operation Instructing Sheet - French | 113 | 23 |
| C2108743 | Operation Instructing Sheet - Spanish | 113 | 23 |
| C2108744 | Operation Instructing Sheet - Italian | 113 | 23 |
| C2108745 | Make-up Instructing Sheet - German | 113 | 23 |
| C2108746 | Make-up Instructing Sheet - French | 113 | 23 |
| C2108747 | Make-up Instructing Sheet - Spanish | 113 | 23 |
| C2108748 | Make-up Instructing Sheet - Italian | 113 | 23 |



**T. Ito, Manager
Copier Technical Support**

| MODEL NAME | V/Hz | DESTINATION | CODE | SERIAL NUMBER |
|--------------|-------------|--------------|---------|---------------|
| Ges 5375 | 120/60 | USA, Canada | C210-12 | |
| Ges 5375 | 110/60 | Taiwan | C210-13 | |
| Rex 1280 | 110/60 | Taiwan | C210-14 | |
| Rex 1280 | 120/60 | USA, Canada | C210-15 | |
| NSA CP375 | 120/60 | USA, Canada | C210-16 | |
| Ricoh VT3500 | 110/60 | Taiwan | C210-19 | |
| Ges 5375 | 220, 240/50 | Europe, Asia | C210-22 | 50611080001 |
| Rex 1280 | 220, 240/50 | Europe, Asia | C210-24 | 50611080116 |
| NSA CP375 | 220, 240/50 | Europe, Asia | C210-25 | 50611080126 |
| Ricoh VT3500 | 220, 240/50 | Europe | C210-27 | |
| Ricoh VT3500 | 220, 240/50 | Asia | C210-29 | |

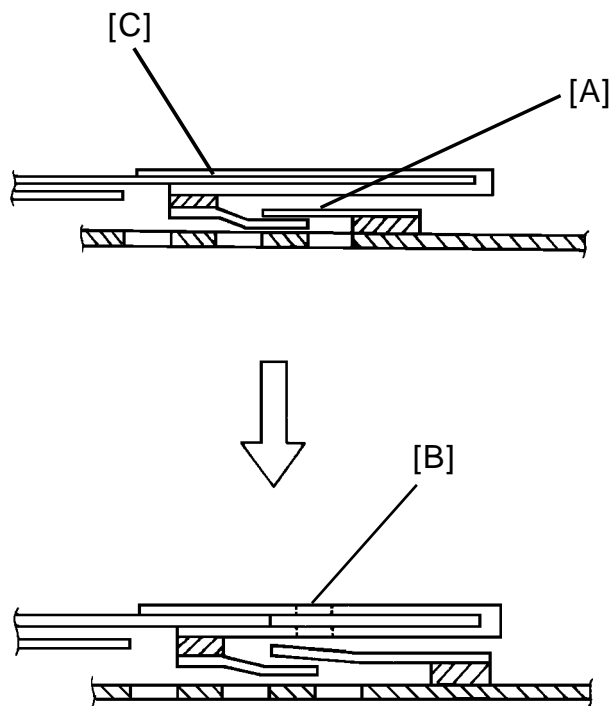
| Model | | NA2 | | | | | Volt/Hz | Date of Modification | Serial Number | |
|--------------------------------|---------------|--------------------------|--------------------|--------|------------------------|---------------------|---|-----------------------------|----------------------|------|
| Modified Article | | Drum screen mylar | | | | | | | | |
| Reason for Modification | | To facilitate assembling | | | | | | | | |
| | | | | | | | | | | |
| | | | | | | | | | | |
| Draw No. | Old Parts No. | New Parts No. | Description | A.B.C. | Q'ty Used Old → New | Inter-changeability | Part needed for replacement by new part | | Parts Catalog | |
| | | | | Rank | | | Part No. | Description | Index No. | Page |
| | C2094813 | C2094814 | Metal Screen Mylar | | 1 → 1 | X/O | | | 11 | 51 |
| | | | | | | | | | | |
| | | | | | | | | | | |
| | | | | | | | | | | |
| | | | | | | | | | | |
| | | | | | | | | | | |
| | | | | | | | | | | |
| | | | | | | | | | | |
| | | | | | | | | | | |
| | | | | | | | | | | |
| | | | | | | | | | | |
| | | | | | | | | | | |
| | | | | | | | | | | |
| | | | | | | | | | | |
| | | | | | | | | | | |
| | | | | | | | | | | |
| | | | | | | | | | | |
| | | | | | | | | | | |

Rank: A : Replace with new parts immediately. B : Replace with new parts at time of repair. C : Replace with new parts at time of overhaul.
 Interchangeability:
 (1) When old and new parts are not mutually interchangeable, use additional parts or an assembly part as indicated in "Parts needed for replacement by new part" to install the new part.
 (2) The mark to the left of the slash indicates whether the old part can be used in the new machine, and the mark to the right indicates whether the new part can be used in the old machine. x = Not interchangeable o = Interchangeable

DETAILS OF MODIFICATION

To facilitate assembling, the length and sticking position of the metal screen mylar [A] has been changed as shown in the illustration below. Also two holes [B] are made on the vinyl part of the tetron screen [C] so that customer engineers can confirm through the holes if the mylar is set correctly.

The part number of the metal screen mylar has been changed but the part number of the tetron screen has not been changed.



T. Ito, Manager
Copier Technical Support

| MODEL NAME | V/Hz | DESTINATION | CODE | SERIAL NUMBER |
|--------------|-------------|--------------|---------|------------------------------|
| Ges 5375 | 120/60 | USA, Canada | C210-12 | 50621100001 |
| Ges 5375 | 110/60 | Taiwan | C210-13 | From November '91 Production |
| Rex 1280 | 110/60 | Taiwan | C210-14 | From November '91 Production |
| Rex 1280 | 120/60 | USA, Canada | C210-15 | From November '91 Production |
| NSA CP375 | 120/60 | USA, Canada | C210-16 | From November '91 Production |
| Ricoh VT3500 | 110/60 | Taiwan | C210-19 | From November '91 Production |
| Ges 5375 | 220, 240/50 | Europe, Asia | C210-22 | 50611100001 |
| Rex 1280 | 220, 240/50 | Europe, Asia | C210-24 | 50611100141 |
| NSA CP375 | 220, 240/50 | Europe, Asia | C210-25 | 50611100161 |
| Ricoh VT3500 | 220, 240/50 | Europe | C210-27 | C2791100001 |
| Ricoh VT3500 | 220, 240/50 | Asia | C210-29 | C2791100087 |

| | | | | |
|--------------------------------|---|----------------|-----------------------------|----------------------|
| Model | NA2 | Volt/Hz | Date of Modification | Serial Number |
| Modified Article | Separation Roller Gear | | | |
| Reason for Modification | To increase the reliability of the gear | | | |
| | | | | |
| | | | | |

To increase the reliability of the separation roller gear, the material of the gear has been changed .

| Old Part Number | New Part Number | Description | Interchangeability | Page | Index |
|-----------------|-----------------|-------------|--------------------|------|-------|
| C2095229 | C2035220 | Gear - 18T | X/O | 25 | 39 |

T. Ito, Manager
Copier Technical Support

| MODEL NAME | V/Hz | DESTINATION | CODE | SERIAL NUMBER |
|--------------|-------------|--------------|---------|-----------------------------|
| Ges 5375 | 120/60 | USA, Canada | C210-12 | 50621090001 |
| Ges 5375 | 110/60 | Taiwan | C210-13 | 50631090001 |
| Rex 1280 | 110/60 | Taiwan | C210-14 | From October '91 Production |
| Rex 1280 | 120/60 | USA, Canada | C210-15 | From October '91 Production |
| NSA CP375 | 120/60 | USA, Canada | C210-16 | From October '91 Production |
| Ricoh VT3500 | 110/60 | Taiwan | C210-19 | From October '91 Production |
| Ges 5375 | 220, 240/50 | Europe, Asia | C210-22 | 50611090001 |
| Rex 1280 | 220, 240/50 | Europe, Asia | C210-24 | 50611090215 |
| NSA CP375 | 220, 240/50 | Europe, Asia | C210-25 | 50611090255 |
| Ricoh VT3500 | 220, 240/50 | Europe | C210-27 | C2791090001 |
| Ricoh VT3500 | 220, 240/50 | Asia | C210-29 | C2791090069 |

To prevent the original tray fixing nut from becoming loose, original tray shafts have been modified . Screw holes are made on the side plates and the shafts are screwed tightly with the washer in the factory. (illustration 1.)

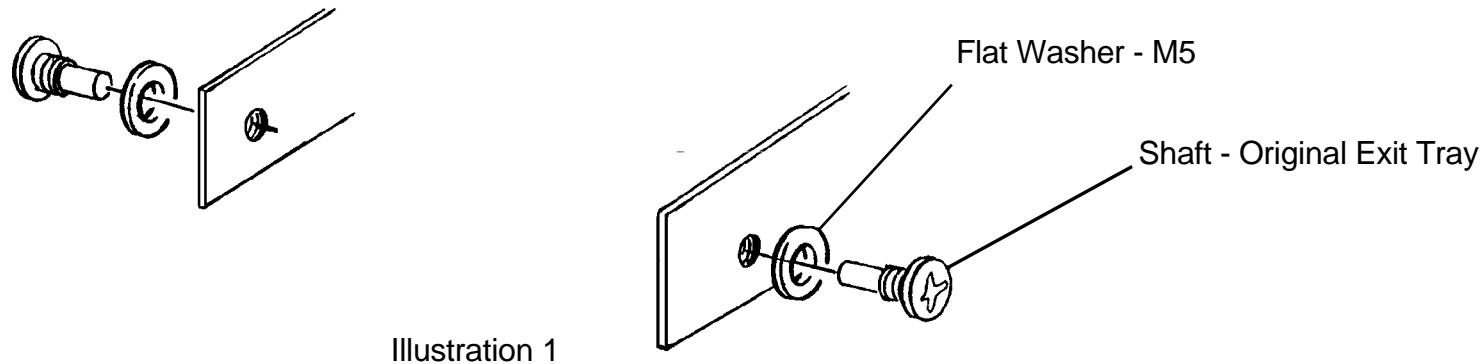


Illustration 1

Due to this modification, installation procedure has been changed. To install, bend in the original exit tray slightly, placing the shaft through the holes provided on the original tray as in illustration 2.

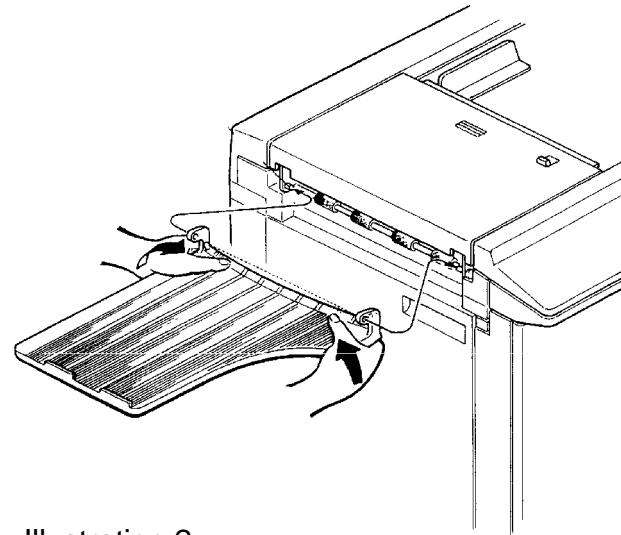


Illustration 2

T .Ito, Manager
Copier Technical Support

| MODEL NAME | V/Hz | DESTINATION | CODE | SERIAL NUMBER |
|--------------|-------------|--------------|---------|-----------------------------|
| Ges 5375 | 120/60 | USA, Canada | C210-12 | 50621120015 |
| Ges 5375 | 110/60 | Taiwan | C210-13 | 50631120001 |
| Rex 1280 | 110/60 | Taiwan | C210-14 | From January '92 Production |
| Rex 1280 | 120/60 | USA, Canada | C210-15 | From January '92 Production |
| NSA CP375 | 120/60 | USA, Canada | C210-16 | From January '92 Production |
| Ricoh VT3500 | 110/60 | Taiwan | C210-19 | From January '92 Production |
| Ges 5375 | 220, 240/50 | Europe, Asia | C210-22 | 50611120001 |
| Rex 1280 | 220, 240/50 | Europe, Asia | C210-24 | 50611120075 |
| NSA CP375 | 220, 240/50 | Europe, Asia | C210-25 | 50611120095 |
| Ricoh VT3500 | 220, 240/50 | Europe | C210-27 | C2791120001 |
| Ricoh VT3500 | 220, 240/50 | Asia | C210-29 | C2791120080 |

| | | | | |
|--------------------------------|-----------------|----------------|-----------------------------|----------------------|
| Model | NA2 | Volt/Hz | Date of Modification | Serial Number |
| Modified Article | Ink Antechamber | | | |
| Reason for Modification | Vender change | | | |
| | | | | |
| | | | | |

Due to vendor change, the ink antechamber has been changed. The interchangeability is O/O.

| Old Part Number | New Part Number | Description | Page | Index |
|-----------------|-----------------|-----------------|------|-------|
| C2004810 | C2134810 | Ink Antechamber | 47 | 20 |

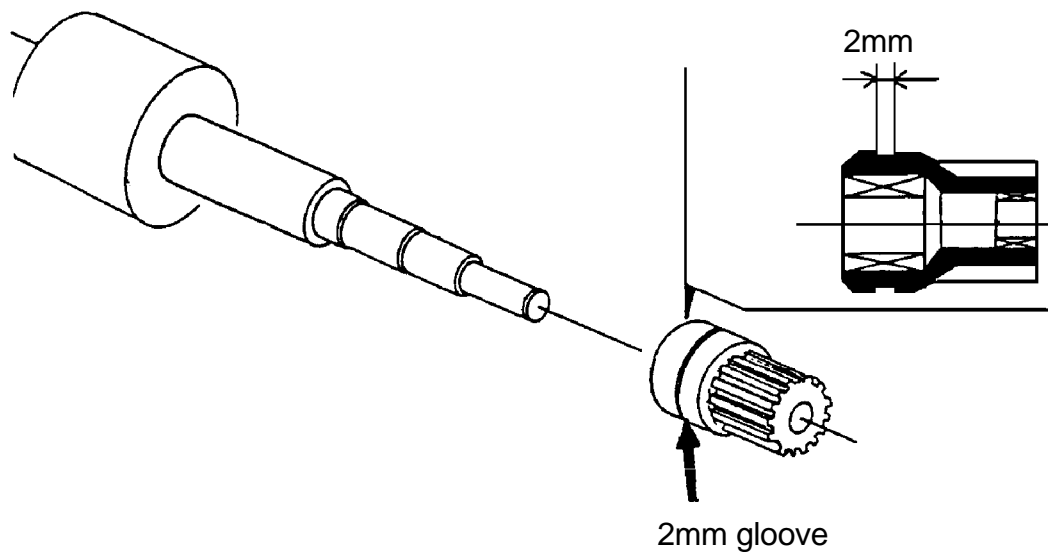
T. Ito, Manager
Copier Technical Support

| MODEL NAME | V/Hz | DESTINATION | CODE | SERIAL NUMBER |
|--------------|-------------|--------------|---------|---------------------------|
| Ges 5375 | 120/60 | USA, Canada | C210-12 | 50622020001 |
| Ges 5375 | 110/60 | Taiwan | C210-13 | From April '92 Production |
| Rex 1280 | 110/60 | Taiwan | C210-14 | From April '92 Production |
| Rex 1280 | 120/60 | USA, Canada | C210-15 | From April '92 Production |
| NSA CP375 | 120/60 | USA, Canada | C210-16 | From April '92 Production |
| Ricoh VT3500 | 110/60 | Taiwan | C210-19 | C2792030001 |
| Ges 5375 | 220, 240/50 | Europe, Asia | C210-22 | 50612020001 |
| Rex 1280 | 220, 240/50 | Europe, Asia | C210-24 | 50612020050 |
| NSA CP375 | 220, 240/50 | Europe, Asia | C210-25 | 50612020075 |
| Ricoh VT3500 | 220, 240/50 | Europe | C210-27 | C2792020001 |
| Ricoh VT3500 | 220, 240/50 | Asia | C210-29 | C2792020176 |

| | | | | |
|--------------------------------|-------------------------|----------------|-----------------------------|----------------------|
| Model | NA2 | Volt/Hz | Date of Modification | Serial Number |
| Modified Article | Feed Roller Gear | | | |
| Reason for Modification | To increase reliability | | | |

To increase reliability of the feed roller clutch, the grease enclosed in the feed gear clutch has been changed. To distinguish the new gear from the old gear visually, the new gear has a 2mm groove on its surface.

| Old Part Number | New Part Number | Description | Interchangeability | page | Index |
|-----------------|-----------------|-------------|--------------------|------|-------|
| C2095201 | C2095200 | Gear - 14Z | X/O | 31 | 25 |



T. Ito, Manager
Copier Technical Support

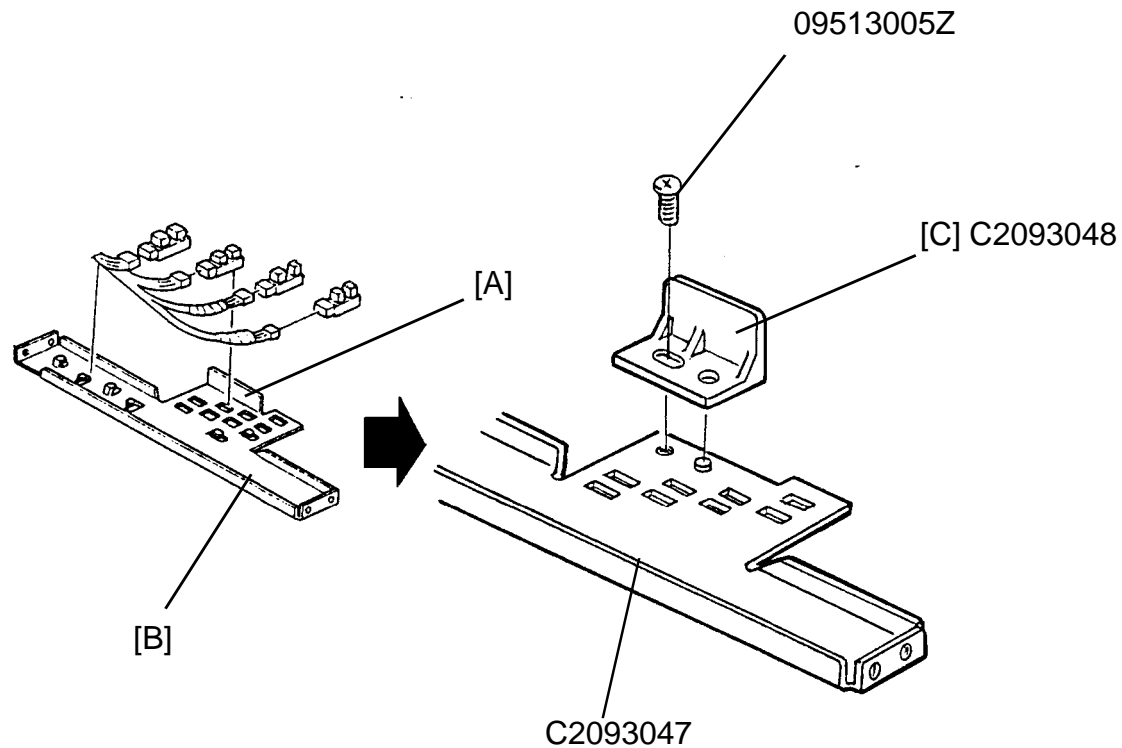
| MODEL NAME | V/Hz | DESTINATION | CODE | SERIAL NUMBER |
|--------------|-------------|--------------|---------|--------------------------|
| Ges 5375 | 120/60 | USA, Canada | C210-12 | 50622030001 |
| Ges 5375 | 110/60 | Taiwan | C210-13 | From June '92 Production |
| Rex 1280 | 110/60 | Taiwan | C210-14 | From June '92 Production |
| Rex 1280 | 120/60 | USA, Canada | C210-15 | From June '92 Production |
| NSA CP375 | 120/60 | USA, Canada | C210-16 | From June '92 Production |
| Ricoh VT3500 | 110/60 | Taiwan | C210-19 | C2792030001 |
| Ges 5375 | 220, 240/50 | Europe, Asia | C210-22 | 50612030001 |
| Rex 1280 | 220, 240/50 | Europe, Asia | C210-24 | 50612130361 |
| NSA CP375 | 220, 240/50 | Europe, Asia | C210-25 | 50612020104 |
| Ricoh VT3500 | 220, 240/50 | Europe | C210-27 | C2792030002 |
| Ricoh VT3500 | 220, 240/50 | Asia | C210-29 | C2792030144 |

| Model | NA2 | | | | | | Volt/Hz | Date of Modification | Serial Number | |
|--------------------------------|---|---------------|-------------------------------|--------|------------------------|--------------------|---|-----------------------------|----------------------|------|
| Modified Article | Scanner Sensor Bracket | | | | | | | | | |
| Reason for Modification | To prevent metal powder from dropping on the A/D conversion PCB | | | | | | | | | |
| Draw No. | Old Parts No. | New Parts No. | Description | A.B.C. | Q'ty Used Old → New | Interchangeability | Part needed for replacement by new part | | Parts Catalog | |
| | | | | Rank | | | Part No. | Description | Index No. | Page |
| | C2093060 | C2093047 | Scanner Sensor Bracket | | 1 → 1 | X/X | | X/O as a set | 39 | 63 |
| | | C2093048 | Sensor Shield Guide | | 0 → 1 | | | | *41 | 63 |
| | | 09513005Z | Philips Pan Head Screw M3 x 5 | | 0 → 1 | | | | 117 | 63 |
| | | | | | | | | | | |
| | | | | | | | | | | |
| | | | | | | | | | | |
| | | | | | | | | * New Index | | |
| | | | | | | | | | | |
| | | | | | | | | | | |
| | | | | | | | | | | |

Rank: A : Replace with new parts immediately. B : Replace with new parts at time of repair. C : Replace with new parts at time of overhaul.
 Interchangeability:
 (1) When old and new parts are not mutually interchangeable, use additional parts or an assembly part as indicated in "Parts needed for replacement by new part" to install the new part.
 (2) The mark to the left of the slash indicates whether the old part can be used in the new machine, and the mark to the right indicates whether the new part can be used in the old machine. x = Not interchangeable o = Interchangeable

DETAILS OF MODIFICATION

Part [A] of the sensor scanner bracket [B] supporting the sensor shield plate has been changed from a metal to a plastic one [C]. When the sensor shield plate was moved, it rubbed the sensor scanner bracket and metal powder was made. This sometimes dropped on the A/D conversion PCB.



T. Ito, Manager
Copier Technical Support

| MODEL NAME | V/Hz | DESTINATION | CODE | SERIAL NUMBER |
|--------------|-------------|--------------|---------|--------------------------|
| Ges 5375 | 120/60 | USA, Canada | C210-12 | 50622010031 |
| Ges 5375 | 110/60 | Taiwan | C210-13 | From June '92 Production |
| Rex 1280 | 110/60 | Taiwan | C210-14 | 50632010001 |
| Rex 1280 | 120/60 | USA, Canada | C210-15 | From June '92 Production |
| NSA CP375 | 120/60 | USA, Canada | C210-16 | From June '92 Production |
| Ricoh VT3500 | 110/60 | Taiwan | C210-19 | C2792040183 |
| Ges 5375 | 220, 240/50 | Europe, Asia | C210-22 | 50612010001 |
| Rex 1280 | 220, 240/50 | Europe, Asia | C210-24 | 50612010256 |
| NSA CP375 | 220, 240/50 | Europe, Asia | C210-25 | 50612020075 |
| Ricoh VT3500 | 220, 240/50 | Europe | C210-27 | C2792010001 |
| Ricoh VT3500 | 220, 240/50 | Asia | C210-29 | C2792010084 |

| | | | | |
|--------------------------------|---------------|----------------|-----------------------------|---------------------------|
| Model | NA2 | Volt/Hz | Date of Modification | Serial Number |
| Modified Article | Table Caster | Ricoh | | 2020231 |
| Reason for Modification | Vendor change | NRG | | From March '92 Production |
| | | | | |
| | | | | |

Due to vendor change, the casters of the table have been changed as follows:

| Old Part Number | New Part Number | Description | Interchangeability | Page | Index |
|-----------------|-----------------|----------------|--------------------|------|-------|
| C5252034 | C5252039 | Caster Stopper | O/O | 89 | 6 |
| C5252033 | C5252038 | Caster | O/O | 89 | 7 |

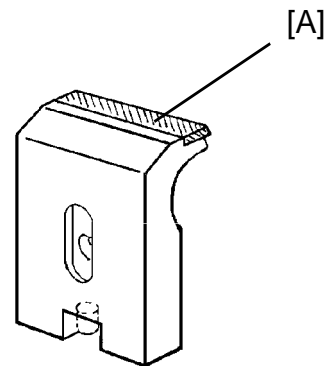
T. Ito, Manager
Copier Technical Support

| MODEL NAME | V/Hz | DESTINATION | CODE | SERIAL NUMBER |
|--------------|-------------|--------------|---------|---------------|
| Ges 5375 | 120/60 | USA, Canada | C210-12 | |
| Ges 5375 | 110/60 | Taiwan | C210-13 | |
| Rex 1280 | 110/60 | Taiwan | C210-14 | |
| Rex 1280 | 120/60 | USA, Canada | C210-15 | |
| NSA CP375 | 120/60 | USA, Canada | C210-16 | |
| Ricoh VT3500 | 110/60 | Taiwan | C210-19 | |
| Ges 5375 | 220, 240/50 | Europe, Asia | C210-22 | |
| Rex 1280 | 220, 240/50 | Europe, Asia | C210-24 | |
| NSA CP375 | 220, 240/50 | Europe, Asia | C210-25 | |
| Ricoh VT3500 | 220, 240/50 | Europe | C210-27 | |
| Ricoh VT3500 | 220, 240/50 | Asia | C210-29 | |

| | | | | |
|--------------------------------|------------------------|----------------|-----------------------------|----------------------|
| Model | NA2 | Volt/Hz | Date of Modification | Serial Number |
| Modified Article | Separation Plate | | | |
| Reason for Modification | To increase durability | | | |
| | | | | |
| | | | | |

To increase durability, the material of the separation plate pad [A] has been changed. The color of the pad has been changed from black to white.

| Old Part Number | New Part Numbr | Description | Interchangeability | Page | Index |
|-----------------|----------------|------------------|--------------------|------|-------|
| C2095020 | C2095018 | Separation Plate | X/O | 29 | 22 |



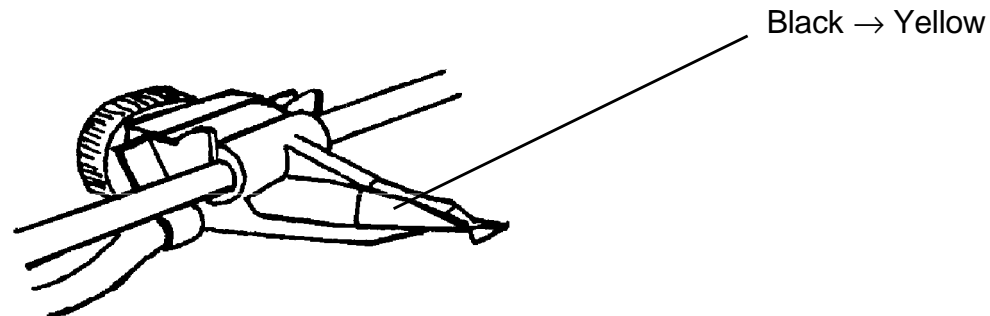
T. Ito, Manager
Copier Technical Support

| MODEL NAME | V/Hz | DESTINATION | CODE | SERIAL NUMBER |
|--------------|-------------|--------------|---------|--------------------------|
| Ges 5375 | 120/60 | USA, Canada | C210-12 | 50622030001 |
| Ges 5375 | 110/60 | Taiwan | C210-13 | From June '92 Produciton |
| Rex 1280 | 110/60 | Taiwan | C210-14 | From June '92 Produciton |
| Rex 1280 | 120/60 | USA, Canada | C210-15 | From June '92 Produciton |
| NSA CP375 | 120/60 | USA, Canada | C210-16 | From June '92 Produciton |
| Ricoh VT3500 | 110/60 | Taiwan | C210-19 | C2792030001 |
| Ges 5375 | 220, 240/50 | Europe, Asia | C210-22 | 50612030001 |
| Rex 1280 | 220, 240/50 | Europe, Asia | C210-24 | 50612030361 |
| NSA CP375 | 220, 240/50 | Europe, Asia | C210-25 | 50612030456 |
| Ricoh VT3500 | 220, 240/50 | Europe | C210-27 | C2792030002 |
| Ricoh VT3500 | 220, 240/50 | Asia | C210-29 | C2792030144 |

| | | | | |
|--------------------------------|-------------------|----------------|-----------------------------|----------------------|
| Model | NA2 | Volt/Hz | Date of Modification | Serial Number |
| Modified Article | Exit Pawl | | | |
| Reason for Modification | To improve safety | | | |

The tip of the exit pawl is sharp and it is possible for a customer to get hurt by the pawl when removing jammed paper. The exit pawl color has been changed from black to yellow to make it more visible.

| Old Part Number | New Part Number | Description | Interchangeability | Page | Index |
|-----------------|-----------------|-------------|--------------------|------|-------|
| C2096226 | C2096233 | Exit Pawl | X/O | 45 | 22 |



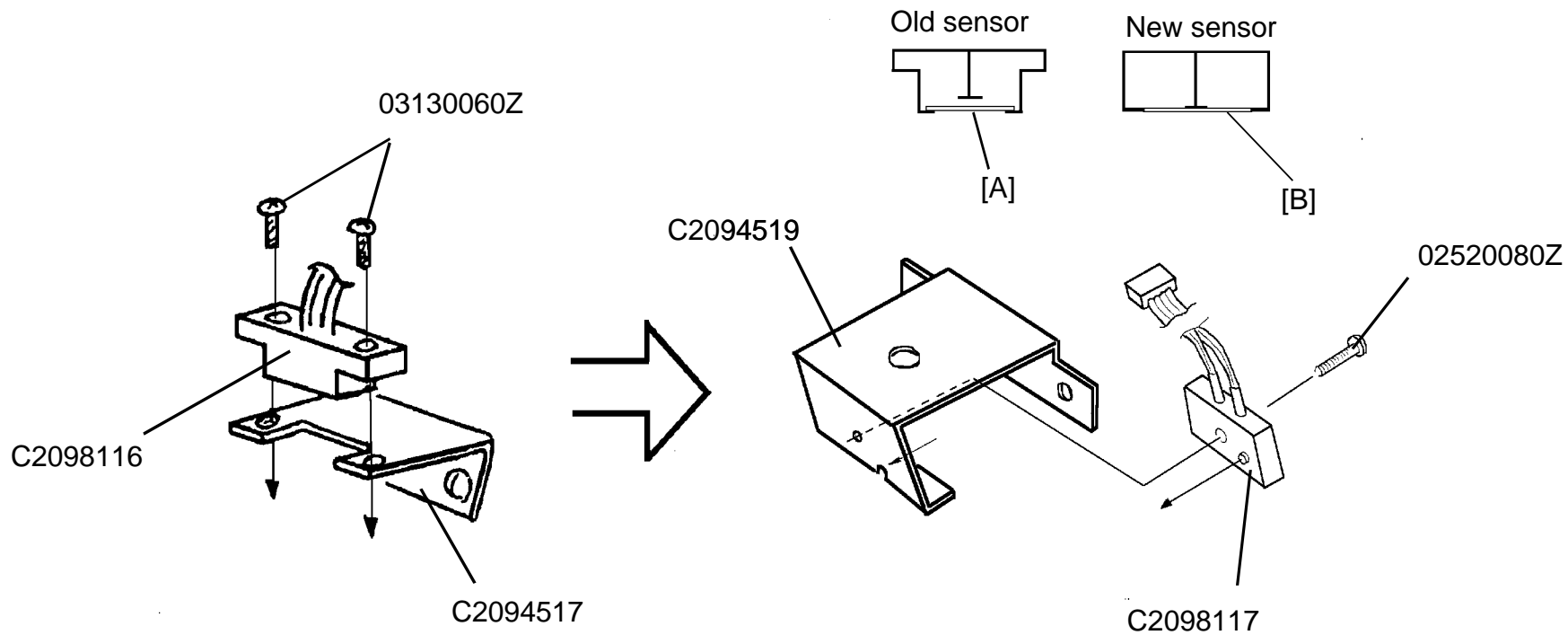
T. Ito, Manager
Copier Technical Support

| MODEL NAME | V/Hz | DESTINATION | CODE | SERIAL NUMBER |
|--------------|-------------|--------------|---------|--------------------------|
| Ges 5375 | 120/60 | USA, Canada | C210-12 | 50622040001 |
| Ges 5375 | 110/60 | Taiwan | C210-13 | From June '92 Produciton |
| Rex 1280 | 110/60 | Taiwan | C210-14 | From June '92 Produciton |
| Rex 1280 | 120/60 | USA, Canada | C210-15 | From June '92 Produciton |
| NSA CP375 | 120/60 | USA, Canada | C210-16 | From June '92 Produciton |
| Ricoh VT3500 | 110/60 | Taiwan | C210-19 | From June '92 Produciton |
| Ges 5375 | 220, 240/50 | Europe, Asia | C210-22 | 50612040001 |
| Rex 1280 | 220, 240/50 | Europe, Asia | C210-24 | 50612040230 |
| NSA CP375 | 220, 240/50 | Europe, Asia | C210-25 | 50612040270 |
| Ricoh VT3500 | 220, 240/50 | Europe | C210-27 | C2792040001 |
| Ricoh VT3500 | 220, 240/50 | Asia | C210-29 | C2792040183 |

DETAILS OF MODIFICATION

It is sometimes reported that the drum master detection sensor does not detect the master on the drum. This problem happened when the filter [A] was out of position. To prevent this, the drum master detection sensor has been modified. The filter [B] of the new sensor is fixed in position.

Due to this modification, the shape of the drum sensor bracket has also been changed as shown in the illustration.



T. Ito, Manager
Copier Technical Support

| MODEL NAME | V/Hz | DESTINATION | CODE | SERIAL NUMBER |
|--------------|-------------|--------------|---------|--------------------------|
| Ges 5375 | 120/60 | USA, Canada | C210-12 | 50622040001 |
| Ges 5375 | 110/60 | Taiwan | C210-13 | From June '92 Production |
| Rex 1280 | 110/60 | Taiwan | C210-14 | From June '92 Production |
| Rex 1280 | 120/60 | USA, Canada | C210-15 | From June '92 Production |
| NSA CP375 | 120/60 | USA, Canada | C210-16 | From June '92 Production |
| Ricoh VT3500 | 110/60 | Taiwan | C210-19 | From June '92 Production |
| Ges 5375 | 220, 240/50 | Europe, Asia | C210-22 | 50612040001 |
| Rex 1280 | 220, 240/50 | Europe, Asia | C210-24 | 50612040230 |
| NSA CP375 | 220, 240/50 | Europe, Asia | C210-25 | 50612040270 |
| Ricoh VT3500 | 220, 240/50 | Europe | C210-27 | C2792040001 |
| Ricoh VT3500 | 220, 240/50 | Asia | C210-29 | C2792040183 |

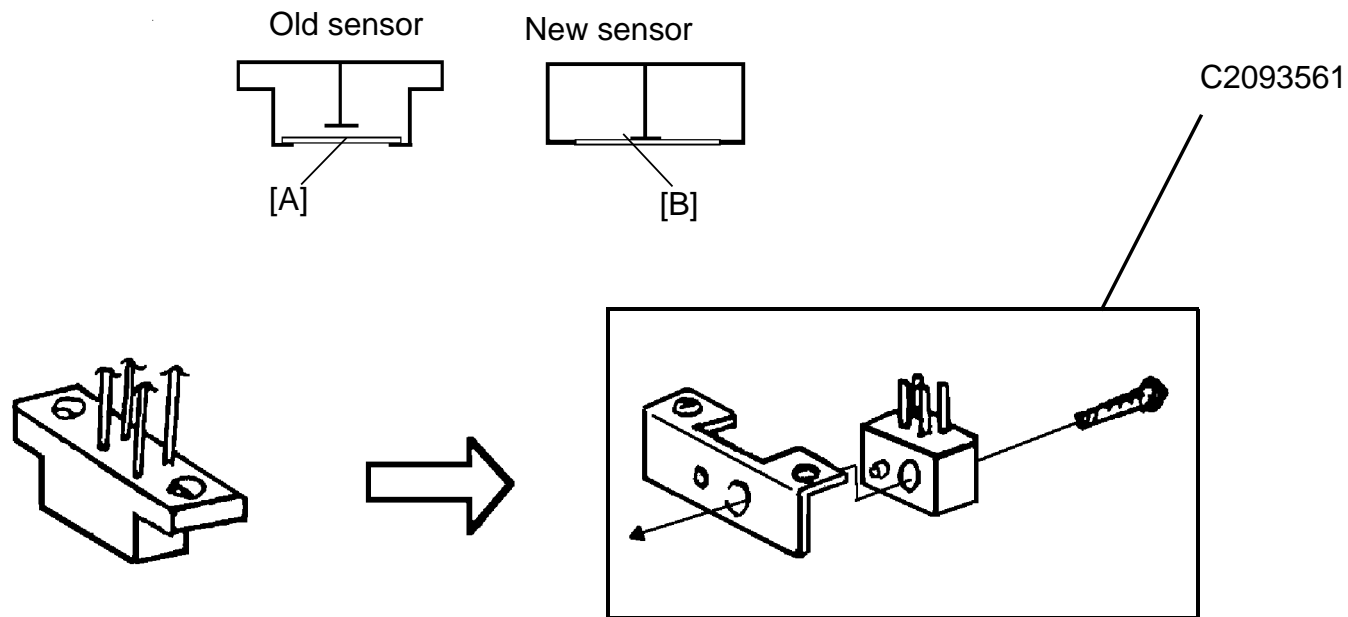
| Model | | NA2 | | | | | | Volt/Hz | Date of Modification | Serial Number | |
|-------------------------|---------------|-------------------------|------------------------------|--------|------------------------|---------------------|---|-------------|----------------------|---------------|--|
| Modified Article | | Master Eject Sensor | | | | | | | | | |
| Reason for Modification | | To increase reliability | | | | | | | | | |
| Draw No. | Old Parts No. | New Parts No. | Description | A.B.C. | Q'ty Used Old → New | Inter-changeability | Part needed for replacement by new part | | Parts Catalog | | |
| | | | | Rank | | | Part No. | Description | Index No. | Page | |
| | C2098116 | | Drum master Detection Sensor | | | | | | | | |
| | | C2093561 | Master Eject Sensor | | 1 → 1 | X/O | | | 11 | 77 | |
| | | | | | | | | | | | |
| | | | | | | | | | | | |
| | | | | | | | | | | | |
| | | | | | | | | | | | |
| | | | | | | | | | | | |
| | | | | | | | | | | | |
| | | | | | | | | | | | |
| | | | | | | | | | | | |
| | | | | | | | | | | | |
| | | | | | | | | | | | |
| | | | | | | | | | | | |
| | | | | | | | | | | | |
| | | | | | | | | | | | |
| | | | | | | | | | | | |
| | | | | | | | | | | | |
| | | | | | | | | | | | |
| | | | | | | | | | | | |
| | | | | | | | | | | | |

Rank: A : Replace with new parts immediately. B : Replace with new parts at time of repair. C : Replace with new parts at time of overhaul.
 Interchangeability:
 (1) When old and new parts are not mutually interchangeable, use additional parts or an assembly part as indicated in "Parts needed for replacement by new part" to install the new part.
 (2) The mark to the left of the slash indicates whether the old part can be used in the new machine, and the mark to the right indicates whether the new part can be used in the old machine. x = Not interchangeable o = Interchangeable

DETAILS OF MODIFICATION

It is sometimes reported that the master eject sensor does not detect the ejected master. This problem happened when the filter [A] was out of position. To prevent this, the drum master detection sensor has been modified. The filter [B] of the new sensor is fixed in position.

The new part C2093561 consists of a photosensor, a bracket and a screw. They are supplied as an assembly.



T. Ito, Manager
Copier Technical Support

| MODEL NAME | V/Hz | DESTINATION | CODE | SERIAL NUMBER |
|--------------|-------------|--------------|---------|--------------------------|
| Ges 5375 | 120/60 | USA, Canada | C210-12 | 5062050001 |
| Ges 5375 | 110/60 | Taiwan | C210-13 | From June '92 Production |
| Rex 1280 | 110/60 | Taiwan | C210-14 | From June '92 Production |
| Rex 1280 | 120/60 | USA, Canada | C210-15 | From June '92 Production |
| NSA CP375 | 120/60 | USA, Canada | C210-16 | From June '92 Production |
| Ricoh VT3500 | 110/60 | Taiwan | C210-19 | From June '92 Production |
| Ges 5375 | 220, 240/50 | Europe, Asia | C210-22 | 50612050001 |
| Rex 1280 | 220, 240/50 | Europe, Asia | C210-24 | 50612050217 |
| NSA CP375 | 220, 240/50 | Europe, Asia | C210-25 | 50612050274 |
| Ricoh VT3500 | 220, 240/50 | Europe | C210-27 | C2792050001 |
| Ricoh VT3500 | 220, 240/50 | Asia | C210-29 | C2792050201 |

| Model | | NA2 | | | | | Volt/Hz | | Date of Modification | | Serial Number | |
|-------------------------|---------------|---------------|--------------------------|--------|------------------------|---------------------|---|-------------|----------------------|------|---------------|--|
| Modified Article | | Total Counter | | | | | | | | | | |
| Reason for Modification | | NRG's request | | | | | | | | | | |
| | | | | | | | | | | | | |
| | | | | | | | | | | | | |
| Draw No. | Old Parts No. | New Parts No. | Description | A.B.C. | Q'ty Used Old → New | Inter-changeability | Part needed for replacement by new part | | Parts Catalog | | | |
| | | | | Rank | | | Part No. | Description | Index No. | Page | | |
| | C2102732 | C2102775 | Left Cover - A4 | | 1 → 1 | X/X | x/o as a set | | 12 | 11 | | |
| | C2102772 | C2102797 | Left Cover - LT / TWN | | 1 → 1 | X/X | | | 12 | 11 | | |
| | | C2098271 | Master Counter | | 0 → 1 | | | | * 25 | 85 | | |
| | C2108620 | C2108466 | Main Board - LT | | 1 → 1 | X/O | | | 23 | 85 | | |
| | C2108625 | C2108471 | Main Board - A4 | | 1 → 1 | X/O | | | 23 | 85 | | |
| | C2108621 | C2108467 | IC - HN27C512G - 17 - LT | | 1 → 1 | X/O | | | 8 | 85 | | |
| | C2108626 | C2108472 | IC - HN27C512G - 17 - A4 | | 1 → 1 | X/O | | | 8 | 85 | | |
| | C2102769 | | Left Cover Cap | | 1 → 0 | | | | 11 | 11 | | |
| | | | | | | | | | | | | |
| | | | | | | | | | | | | |

Rank: A : Replace with new parts immediately. B : Replace with new parts at time of repair. C : Replace with new parts at time of overhaul.

Interchangeability:
 (1) When old and new parts are not mutually interchangeable, use additional parts or an assembly part as indicated in "Parts needed for replacement by new part" to install the new part.
 (2) The mark to the left of the slash indicates whether the old part can be used in the new machine, and the mark to the right indicates whether the new part can be used in the old machine. x = Not interchangeable o = Interchangeable

| Draw No. | Old Parts No. | New Parts No. | Description | A.B.C. | Q'ty Used Old → New | Inter- change- ability | Part needed for replacement by new part | | Parts Catalog | |
|----------|---------------|---------------|------------------------------------|--------|---------------------------|------------------------------|---|-------------|---------------|------|
| | | | | Rank | | | Part No. | Description | Index No. | Page |
| | C2108459 | C2108488 | IC - HN27C512G - 17 - French - LT | | 1 → 1 | X/O | | | 11 | 115 |
| | C2108461 | C2108490 | IC - HN27C512G - 17 - Spanish - LT | | 1 → 1 | X/O | | | 11 | 115 |
| | C2108450 | C2108480 | IC - HN27C512G - 17 - German | | 1 → 1 | X/O | | | 11 | 115 |
| | C2108452 | C2108482 | IC - HN27C512G - 17 - French | | 1 → 1 | X/O | | | 11 | 115 |
| | C2108455 | C2108484 | IC - HN27C512G - 17 - Spanish | | 1 → 1 | X/O | | | 11 | 115 |
| | C2108457 | C2108486 | IC - HN27C512G - 17 - Italian | | 1 → 1 | X/O | | | 11 | 115 |

As requested by NRG, the master counter is added and the software of the main board has been changed. The master counter and the copy counter counts 2 for every master making or printing only when the A3 drum is used.

As the master counter is added, the left cover cap is removed and the part number of the inner cover has been changed.

This modification started with the May '92 production (refer to the serial number table next page), however, the part number of the ROMs on the main board have been changed from the June '92 production. For the ROMs on the May production machines, only the suffix was changed as follows:

- C2108621B → C**
- C2108626B → C**
- C2108450A → B**
- C2108452A → B**
- C2108455A → B**
- C2108457A → B**
- C2108459A → B**
- C2108461A → B**

There is no difference of the software between the ROMs with new part numbers and the corresponding ROMs with a new suffix.

T. Ito, Manager
Copier Technical Support

| MODEL NAME | V/Hz | DESTINATION | CODE | SERIAL NUMBER |
|--------------|-------------|--------------|---------|--------------------------|
| Ges 5375 | 120/60 | USA, Canada | C210-12 | 50622050001 |
| Ges 5375 | 110/60 | Taiwan | C210-13 | From June '92 Production |
| Rex 1280 | 110/60 | Taiwan | C210-14 | From June '92 Production |
| Rex 1280 | 120/60 | USA, Canada | C210-15 | From June '92 Production |
| NSA CP375 | 120/60 | USA, Canada | C210-16 | From June '92 Production |
| Ricoh VT3500 | 110/60 | Taiwan | C210-19 | |
| Ges 5375 | 220, 240/50 | Europe, Asia | C210-22 | 50612050001 |
| Rex 1280 | 220, 240/50 | Europe, Asia | C210-24 | 50612050217 |
| NSA CP375 | 220, 240/50 | Europe, Asia | C210-25 | 50612050274 |
| Ricoh VT3500 | 220, 240/50 | Europe | C210-27 | |
| Ricoh VT3500 | 220, 240/50 | Asia | C210-29 | |

| Model | | NA2 | | | | | Volt/Hz | Date of Modification | Serial Number | |
|--------------------------------|---------------|----------------------|-------------|------|-------------------|---------------------|--|-----------------------------|----------------------|------|
| Modified Article | | LCD Display | | | | | | | | |
| Reason for Modification | | As per field request | | | | | | | | |
| | | | | | | | | | | |
| | | | | | | | | | | |
| Draw No. | Old Parts No. | New Parts No. | Description | Rank | Q'ty Used Old→New | Inter-changeability | Parts needed for replacement by new part | | Parts Catalog | |
| | | | | | | | Part No. | Description | No. | Page |
| | | C2098350 | LCT Display | | 0 → 1 | | | | * 38 | 11 |
| | | | | | | | | | * New Index | |
| | | | | | | | | | | |
| | | | | | | | | | | |
| | | | | | | | | | | |
| | | | | | | | | | | |
| | | | | | | | | | | |
| | | | | | | | | | | |
| | | | | | | | | | | |
| | | | | | | | | | | |
| | | | | | | | | | | |
| | | | | | | | | | | |

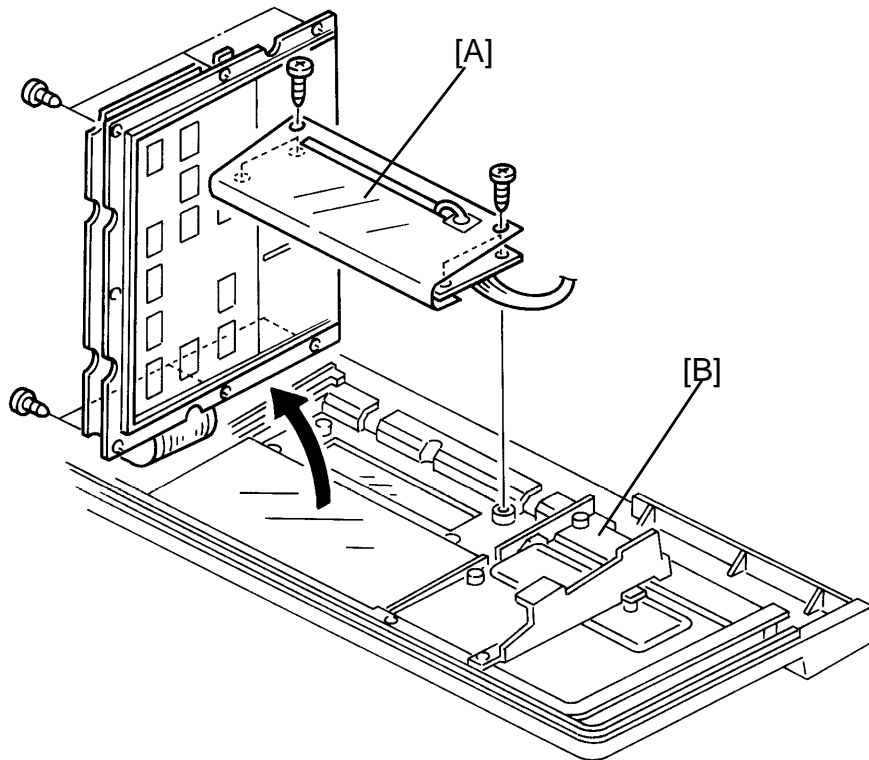
Rank: A : Replace with new parts immediately. B : Replace with new parts at time of repair. C : Replace with new parts at time of overhaul.

Interchangeability:

- (1) When old and new parts are not mutually interchangeable, use additional parts or an assembly part as indicated in "Parts needed for replacement by new part" to install the new part.
- (2) The mark to the left of the slash indicates whether the old part can be used in the new machine, and the mark to the right indicates whether the new part can be used in the old machine. x = Not interchangeable o = Interchangeable

DETAILS OF MODIFICATION

Due to requests from field, the LCT Display [A], which is a subcomponent of the Operation Panel Ass'y [B], has been registered as a service part.



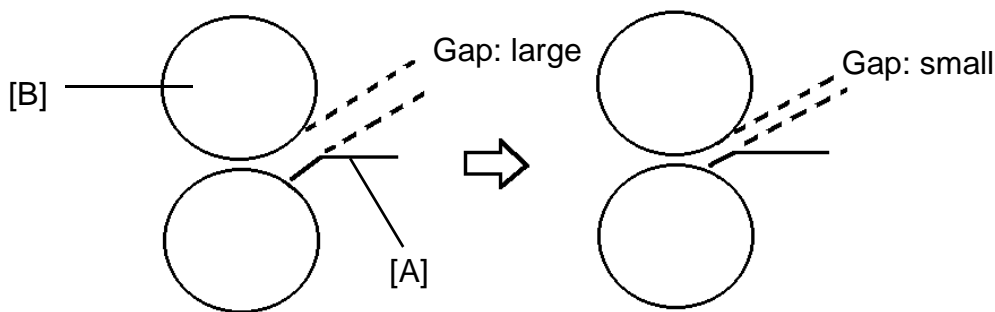
S. Hamano, Assistant General Manager
Technical Support Department

| MODEL NAME | V/Hz | DESTINATION | CODE | SERIAL NUMBER |
|--------------|-------------|--------------|---------|---------------|
| Ges 5375 | 120/60 | USA, Canada | C210-12 | / |
| Ges 5375 | 110/60 | Taiwan | C210-13 | |
| Rex 1280 | 110/60 | Taiwan | C210-14 | |
| Rex 1280 | 120/60 | USA, Canada | C210-15 | |
| NSA CP375 | 120/60 | USA, Canada | C210-16 | |
| Ricoh VT3500 | 110/60 | Taiwan | C210-19 | |
| Ges 5375 | 220, 240/50 | Europe, Asia | C210-22 | |
| Rex 1280 | 220, 240/50 | Europe, Asia | C210-24 | |
| NSA CP375 | 220, 240/50 | Europe, Asia | C210-25 | |
| Ricoh VT3500 | 220, 240/50 | Europe | C210-27 | |
| Ricoh VT3500 | 220, 240/50 | Asia | C210-29 | |

| | | | | |
|--------------------------------|----------------------------|----------------|-----------------------------|----------------------|
| Model | NA2 | Volt/Hz | Date of Modification | Serial Number |
| Modified Article | Lower Master Guide Plate | | | |
| Reason for Modification | To minimize master misfeed | | | |

| Old P/N | New P/N | Description | Q'ty Used | Inter-change-ability | Parts Catalog | |
|----------|----------|--------------------------|-----------|----------------------|---------------|------|
| | | | | | Index No. | Page |
| C2094089 | C2184089 | Lower Master Guide Plate | 1 → 1 | X/O | 18 | 73 |

If a machine is used under high temperature and high humidity conditions, the leading edge of the master tends to curl, and sometimes master misfeed might occur. To minimize master feed jams, the shape of the master guide plate [A] has been changed to reduce the gap between the plate and the upper master feed roller [B].



S. Hamano, Assistant General Manager
 Technical Support Department

| MODEL NAME | V/Hz | DESTINATION | CODE | SERIAL NUMBER |
|--------------|-------------|--------------|---------|------------------------------|
| Ges 5375 | 120/60 | USA, Canada | C210-12 | 50623080001 |
| Ges 5375 | 110/60 | Taiwan | C210-13 | 50633090001 |
| Rex 1280 | 110/60 | Taiwan | C210-14 | From December '93 Production |
| Rex 1280 | 120/60 | USA, Canada | C210-15 | From December '93 Production |
| NSA CP375 | 120/60 | USA, Canada | C210-16 | From December '93 Production |
| Ricoh VT3500 | 110/60 | Taiwan | C210-19 | C2793080001 |
| Ges 5375 | 220, 240/50 | Europe, Asia | C210-22 | 50613080001 |
| Rex 1280 | 220, 240/50 | Europe, Asia | C210-24 | 50613080082 |
| NSA CP375 | 220, 240/50 | Europe, Asia | C210-25 | 50613080090 |
| Ricoh VT3500 | 220, 240/50 | Europe | C210-27 | C2793080011 |
| Ricoh VT3500 | 220, 240/50 | Asia | C210-29 | C2793090006 |

| Model | | NA2 | | | | | Volt/Hz | Date of Modification | Serial Number | |
|--------------------------------|----------------------|----------------------------|------------------------------|-------------|--------------------------|----------------------------|---|-----------------------------|----------------------|-------------|
| Modified Article | | Lower Paper Guide Plate | | | | | | | | |
| Reason for Modification | | To reduce paper feed noise | | | | | | | | |
| Draw No. | Old Parts No. | New Parts No. | Description | Rank | Q'ty Used Old→New | Inter-changeability | Parts needed for replacement by new part | | Parts Catalog | |
| | | | | | | | Part No. | Description | No. | Page |
| | C2105005 | C2105002 | Paper Entrance Plate (Ricoh) | | 1 → 1 | X/O | | | 23 | 29 |
| | C2105006 | C2105003 | Paper Entrance Plate (NRG) | | 1 → 1 | X/O | | | 23 | 29 |
| | C2095215 | C2185215 | Lower Paper Guide Plate | | 1 → 1 | X/O | | | 15 | 31 |
| | | | | | | | | | | |
| | | | | | | | | | | |
| | | | | | | | | | | |
| | | | | | | | | | | |
| | | | | | | | | | | |
| | | | | | | | | | | |
| | | | | | | | | | | |
| | | | | | | | | | | |

Rank: A : Replace with new parts immediately. B : Replace with new parts at time of repair. C : Replace with new parts at time of overhaul.

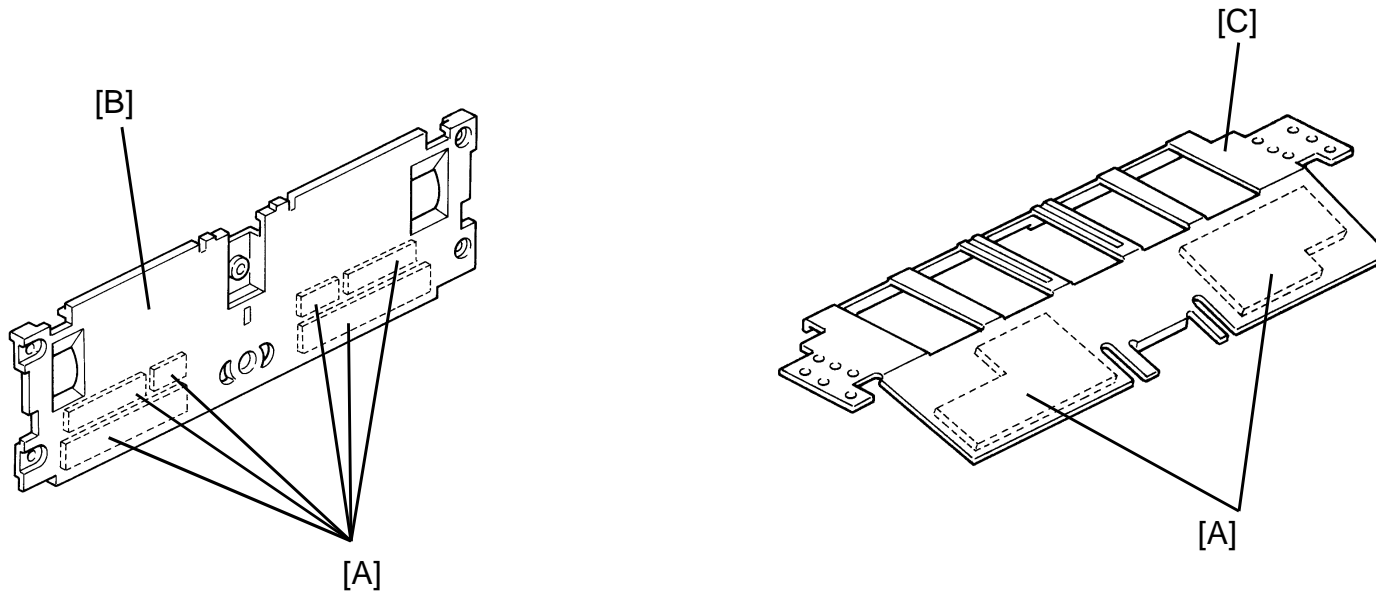
Interchangeability:

(1) When old and new parts are not mutually interchangeable, use additional parts or an assembly part as indicated in "Parts needed for replacement by new part" to install the new part.

(2) The mark to the left of the slash indicates whether the old part can be used in the new machine, and the mark to the right indicates whether the new part can be used in the old machine. x = Not interchangeable o = Interchangeable

DETAILS OF MODIFICATION

To reduce paper feed noise, vibration absorbing pads [A] have been added to the Paper Entrance Plate [B] and the Lower Paper Guide Plate [C].



S. Hamano, Assistant General Manager
Technical Support Department

| MODEL NAME | V/Hz | DESTINATION | CODE | SERIAL NUMBER |
|--------------|-------------|--------------|---------|------------------------------|
| Ges 5375 | 120/60 | USA, Canada | C210-12 | 50623080001 |
| Ges 5375 | 110/60 | Taiwan | C210-13 | 50633090001 |
| Rex 1280 | 110/60 | Taiwan | C210-14 | From December '93 Production |
| Rex 1280 | 120/60 | USA, Canada | C210-15 | From December '93 Production |
| NSA CP375 | 120/60 | USA, Canada | C210-16 | From December '93 Production |
| Ricoh VT3500 | 110/60 | Taiwan | C210-19 | C2793080001 |
| Ges 5375 | 220, 240/50 | Europe, Asia | C210-22 | 50613080001 |
| Rex 1280 | 220, 240/50 | Europe, Asia | C210-24 | 50613080082 |
| NSA CP375 | 220, 240/50 | Europe, Asia | C210-25 | 50613080090 |
| Ricoh VT3500 | 220, 240/50 | Europe | C210-27 | C2793080011 |
| Ricoh VT3500 | 220, 240/50 | Asia | C210-29 | C2793090006 |

| | | | | |
|--------------------------------|-----------------------|----------------|-----------------------------|----------------------|
| Model | NA2 | Volt/Hz | Date of Modification | Serial Number |
| Modified Article | Adjusting Screw | | | |
| Reason for Modification | Parts standardization | | | |
| | | | | |
| | | | | |

Due to parts standardization, the part number of the Guide Screw - Front Plate has been changed.

| Old P/N | New P/N | Description | Q'ty Used | Inter-change-ability | Parts Catalog | |
|----------|----------|---------------------------|-----------|----------------------|---------------|------|
| | | | | | Index No. | Page |
| C2095008 | | Adjusting Screw | 1 → 0 | | 21 | 29 |
| | 55076060 | Guide Screw - Front Plate | 0 → 1 | O/O | 21 | 29 |

S. Hamano, Assistant General Manager
 Technical Support Department

| MODEL NAME | V/Hz | DESTINATION | CODE | SERIAL NUMBER |
|--------------|-------------|--------------|---------|---------------|
| Ges 5375 | 120/60 | USA, Canada | C210-12 | |
| Ges 5375 | 110/60 | Taiwan | C210-13 | |
| Rex 1280 | 110/60 | Taiwan | C210-14 | |
| Rex 1280 | 120/60 | USA, Canada | C210-15 | |
| NSA CP375 | 120/60 | USA, Canada | C210-16 | |
| Ricoh VT3500 | 110/60 | Taiwan | C210-19 | |
| Ges 5375 | 220, 240/50 | Europe, Asia | C210-22 | |
| Rex 1280 | 220, 240/50 | Europe, Asia | C210-24 | |
| NSA CP375 | 220, 240/50 | Europe, Asia | C210-25 | |
| Ricoh VT3500 | 220, 240/50 | Europe | C210-27 | |
| Ricoh VT3500 | 220, 240/50 | Asia | C210-29 | |

| | | | | |
|--------------------------------|-----------------------|----------------|-----------------------------|----------------------|
| Model | NA2 | Volt/Hz | Date of Modification | Serial Number |
| Modified Article | Heat Sink | | | |
| Reason for Modification | Parts standardization | | | |

Due to parts standardization the Heat Sink - 4 on the power supply unit has been changed.

| Old P/N | New P/N | Description | Q'ty Used | Inter-change-ability | Parts Catalog | |
|----------|----------|---------------|-----------|----------------------|---------------|------|
| | | | | | Index No. | Page |
| C2098312 | C2188312 | Heat Sink - 4 | 1 → 1 | O/O | 8 | 107 |

S. Hamano, Assistant General Manager
 Technical Support Department

| MODEL NAME | V/Hz | DESTINATION | CODE | SERIAL NUMBER |
|----------------|-------------|--------------|---------|---------------|
| Ges 5375 | 120/60 | USA, Canada | C210-12 | |
| Ges 5375 | 110/60 | Taiwan | C210-13 | |
| Rex 1280 | 110/60 | Taiwan | C210-14 | |
| Rex 1280 | 120/60 | USA, Canada | C210-15 | |
| NSA CP375 | 120/60 | USA, Canada | C210-16 | |
| A.B. Dick 6720 | 120/60 | USA, Canada | C210-18 | |
| Ricoh VT3500 | 110/60 | Taiwan | C210-19 | |
| Ges 5375 | 220, 240/50 | Europe, Asia | C210-22 | |
| Rex 1280 | 220, 240/50 | Europe, Asia | C210-24 | |
| NSA CP375 | 220, 240/50 | Europe, Asia | C210-25 | |
| Ricoh VT3500 | 220, 240/50 | Europe | C210-27 | |
| Ricoh VT3500 | 220, 240/50 | Asia | C210-29 | |

| | | | | |
|--------------------------------|---------------------------------|----------------|-----------------------------|----------------------|
| Model | NA2 | Volt/Hz | Date of Modification | Serial Number |
| Modified Article | Bracket | | | |
| Reason for Modification | To reduce electromagnetic noise | | | |

To reduce electromagnetic noise, the material of the bracket on the power supply unit has been changed from aluminum to SECC.

| Old P/N | New P/N | Description | Q'ty Used | Inter-changeability | Parts Catalog | |
|----------|----------|-------------|-----------|---------------------|---------------|------|
| | | | | | Index No. | Page |
| C2098307 | C2108307 | Bracket | 1 → 1 | X/O | 3 | 107 |

S. Hamano, Assistant General Manager
 Technical Support Department

| MODEL NAME | V/Hz | DESTINATION | CODE | SERIAL NUMBER |
|----------------|-------------|--------------|---------|----------------------------|
| Ges 5375 | 120/60 | USA, Canada | C210-12 | 50622060001 |
| Ges 5375 | 110/60 | Taiwan | C210-13 | 50632070001 |
| Rex 1280 | 110/60 | Taiwan | C210-14 | From August '92 Production |
| Rex 1280 | 120/60 | USA, Canada | C210-15 | From August '92 Production |
| NSA CP375 | 120/60 | USA, Canada | C210-16 | From August '92 Production |
| A.B. Dick 6720 | 120/60 | USA, Canada | C210-18 | From First Production |
| Ricoh VT3500 | 110/60 | Taiwan | C210-19 | From August '92 Production |
| Ges 5375 | 220, 240/50 | Europe, Asia | C210-22 | 50612060001 |
| Rex 1280 | 220, 240/50 | Europe, Asia | C210-24 | 50612060386 |
| NSA CP375 | 220, 240/50 | Europe, Asia | C210-25 | 50612060476 |
| Ricoh VT3500 | 220, 240/50 | Europe | C210-27 | C2792060001 |
| Ricoh VT3500 | 220, 240/50 | Asia | C210-29 | C2792060041 |

| | | | | |
|--------------------------------|-----------------|----------------|-----------------------------|----------------------|
| Model | NA2 | Volt/Hz | Date of Modification | Serial Number |
| Modified Article | Circuit Breaker | | | |
| Reason for Modification | Vender change | | | |
| | | | | |
| | | | | |

Due to a vender change, the following parts have been changed.

| Old P/N | New P/N | Description | Q'ty Used | Inter-changeability | Parts Catalog | |
|----------|----------|--------------------------------------|-----------|---------------------|---------------|------|
| | | | | | Index No. | Page |
| 11070708 | 11070788 | Circuit Breaker - 6A 250V (110/115V) | 1 → 1 | O/O | 117 | 85 |
| 11070707 | 11070782 | Circuit Breaker - 5A 250V (220/240V) | 1 → 1 | O/O | 117 | 85 |

S. Hamano, Assistant General Manager
 Technical Support Department

| MODEL NAME | V/Hz | DESTINATION | CODE | SERIAL NUMBER |
|----------------|-------------|--------------|---------|---------------|
| Ges 5375 | 120/60 | USA, Canada | C210-12 | |
| Ges 5375 | 110/60 | Taiwan | C210-13 | |
| Rex 1280 | 110/60 | Taiwan | C210-14 | |
| Rex 1280 | 120/60 | USA, Canada | C210-15 | |
| NSA CP375 | 120/60 | USA, Canada | C210-16 | |
| Ricoh VT3500 | 110/60 | Taiwan | C210-19 | |
| Ges 5375 | 220, 240/50 | Europe, Asia | C210-22 | |
| Rex 1280 | 220, 240/50 | Europe, Asia | C210-24 | |
| NSA CP375 | 220, 240/50 | Europe, Asia | C210-25 | |
| Ricoh VT3500 | 220, 240/50 | Europe | C210-27 | |
| Ricoh VT3500 | 220, 240/50 | Asia | C210-29 | |
| A.B. Dick 6720 | 120/60 | USA, Canada | C210-18 | |

| | | | | |
|--------------------------------|-----------------------|----------------|-----------------------------|----------------------|
| Model | NA2 | Volt/Hz | Date of Modification | Serial Number |
| Modified Article | Ink Tube | | | |
| Reason for Modification | To improve durability | | | |

| Old P/N | New P/N | Description | Q'ty Used | Inter-change-ability | Parts Catalog | |
|----------|----------|------------------|-----------|----------------------|---------------|------|
| | | | | | Index No. | Page |
| C2094815 | C2094817 | Ink Tube - Small | 1 → 1 | X/X | 22 | 47 |
| C2094711 | C2094713 | Hose Clamp | 1 → 1 | X/X | 24 | 47 |

To improve the durability of the ink tube, its thickness has been increased.
 Because the outer diameter of the tube is increased, the clamp holding the tube has also been changed.

S. Hamano, Assistant General Manager
 Technical Support Department

| MODEL NAME | V/Hz | DESTINATION | CODE | SERIAL NUMBER |
|----------------|-------------|--------------|---------|------------------------------|
| Ges 5375 | 120/60 | USA, Canada | C210-12 | 50622100001 |
| Ges 5375 | 110/60 | Taiwan | C210-13 | 50632100001 |
| Rex 1280 | 110/60 | Taiwan | C210-14 | From November '92 Production |
| Rex 1280 | 120/60 | USA, Canada | C210-15 | From November '92 Production |
| NSA CP375 | 120/60 | USA, Canada | C210-16 | From November '92 Production |
| Ricoh VT3500 | 110/60 | Taiwan | C210-19 | From November '92 Production |
| Ges 5375 | 220, 240/50 | Europe, Asia | C210-22 | 50612100001 |
| Rex 1280 | 220, 240/50 | Europe, Asia | C210-24 | 50612100047 |
| NSA CP375 | 220, 240/50 | Europe, Asia | C210-25 | 50612100080 |
| Ricoh VT3500 | 220, 240/50 | Europe | C210-27 | C2792100001 |
| Ricoh VT3500 | 220, 240/50 | Asia | C210-29 | C2792100101 |
| A.B. Dick 6720 | 120/60 | USA, Canada | C210-18 | From 1st Production |

| | | | | |
|--------------------------------|-----------------------------|----------------|-----------------------------|----------------------|
| Model | NA2 | Volt/Hz | Date of Modification | Serial Number |
| Modified Article | Transformer | | | |
| Reason for Modification | To meet new safety standard | | | |

| Old P/N | New P/N | Description | Q'ty Used | Inter-change-ability | Parts Catalog | |
|----------|----------|-------------------------|-----------|----------------------|---------------|------|
| | | | | | Index No. | Page |
| C2018155 | C2168155 | Transformer - 235V/105V | 1 → 1 | X/X | 30 | 15 |
| C2032018 | C2162018 | Transformer Bracket | 1 → 1 | X/X | 31 | 15 |

X/O as a set

To meet new safety standard, the transformer for the 220/240V machines has been changed. Due to this modification, the transformer bracket has also been changed.

S. Hamano, Assistant General Manager
 Technical Support Department

| MODEL NAME | V/Hz | DESTINATION | CODE | SERIAL NUMBER |
|----------------|-------------|--------------|---------|-------------------------------|
| Ges 5375 | 120/60 | USA, Canada | C210-12 | 50623080001 |
| Ges 5375 | 110/60 | Taiwan | C210-13 | From September '93 Production |
| Rex 1280 | 110/60 | Taiwan | C210-14 | From September '93 Production |
| Rex 1280 | 120/60 | USA, Canada | C210-15 | From September '93 Production |
| NSA CP375 | 120/60 | USA, Canada | C210-16 | From September '93 Production |
| Ricoh VT3500 | 110/60 | Taiwan | C210-19 | C2793080001 |
| Ges 5375 | 220, 240/50 | Europe, Asia | C210-22 | 50613080001 |
| Rex 1280 | 220, 240/50 | Europe, Asia | C210-24 | 50613080082 |
| NSA CP375 | 220, 240/50 | Europe, Asia | C210-25 | 50613080090 |
| Ricoh VT3500 | 220, 240/50 | Europe | C210-27 | C2793080011 |
| Ricoh VT3500 | 220, 240/50 | Asia | C210-29 | From September '93 Production |
| A.B. Dick 6720 | 120/60 | USA, Canada | C210-18 | From September '93 Production |

| Model | | NA2 (VT3500 / Ges 5375 / Rex 1280 / NSA CP375 / ABD 6720) | | | | | Volt/Hz | Date of Modification | Serial Number | | |
|--------------------------------|---------------|---|-----------------------------|------|-------------------|---------------------|--|-----------------------------|----------------------|---------------|----|
| Modified Article | | Press Roller Shaft | | | | | | | | | |
| Reason for Modification | | Parts standardization with other models | | | | | | | | | |
| Draw No. | Old Parts No. | New Parts No. | Description | Rank | Q'ty Used Old→New | Inter-changeability | Parts needed for replacement by new part | | | Parts Catalog | |
| | | | | | | | Part No. | Description | No. | Page | |
| | C2095505 | C2215505 | Press Roller Shaft | | 1 → 1 | X/X | } X/O as a set | | | 13 | 35 |
| | C2095570 | C2215570 | Adjusting Plate - Exit Pawl | | 1 → 1 | X/X | | | | 10 | 35 |
| | C2095573 | C2215573 | Pressure On / Off Lever | | 1 → 1 | X/O | | | | 5 | 35 |
| | | | | | | | | | | | |
| | | | | | | | | | | | |
| | C2109505 | C2109506 | Press Roller Shaft Kit | | | X/O | | | | See RTB - 007 | |
| | | | | | | | | | | | |
| | | | | | | | | | | | |
| | | | | | | | | | | | |

Rank: A : Replace with new parts immediately. B : Replace with new parts at time of repair. C : Replace with new parts at time of overhaul.

Interchangeability:

(1) When old and new parts are not mutually interchangeable, use additional parts or an assembly part as indicated in "Parts needed for replacement by new part" to install the new part.

(2) The mark to the left of the slash indicates whether the old part can be used in the new machine, and the mark to the right indicates whether the new part can be used in the old machine. x = Not interchangeable o = Interchangeable

DETAILS OF MODIFICATION

The following three parts have been changed to the ones which are used in other models.

- Press Roller Shaft

A flat face has been added on the shaft as shown on the next page.

- Adjusting Plate - Exit Pawl

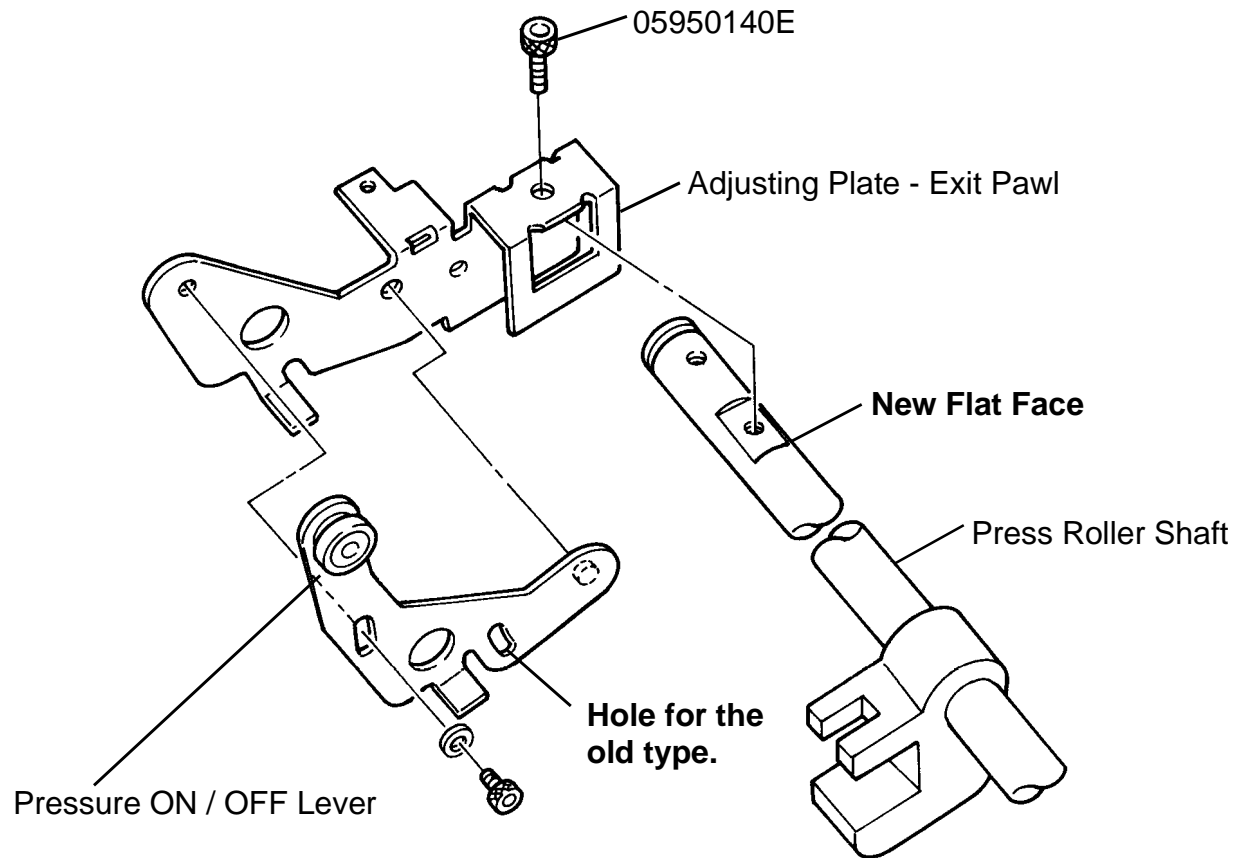
Due to the added flat face on the shaft, the connecting part has been lowered 2 mm.

- Pressure ON / OFF Lever

To ensure that this part is fixed to the adjusting plate in the exact correct position and that it does not move during operation, the distance between the two screw holes has been increased. (The position of the screw holes on the adjusting plate side has also changed.) This part can be installed with the old type adjusting plate because it has a screw hole for the old adjusting plate (C2095570). This part is needed only when the optional A4 drum is used.

The press roller shaft and exit pawl adjusting plate are fixed by a bolt (# 05950140E), and these new parts can prevent the bolt from being broken due to excessive stress. The press roller shaft kit (see RTB - 007), which includes these three parts, has also been changed as described on the first page.

DETAILS OF MODIFICATION



M. Iwasa, Manager
Technical Support Department

| MODEL NAME | V/Hz | DESTINATION | CODE | SERIAL NUMBER |
|----------------|-------------|--------------|---------|---------------------------------|
| Ges 5375 | 120/60 | USA, Canada | C210-12 | 50625020001 |
| Ges 5375 | 110/60 | Taiwan | C210-13 | From After March '95 Production |
| Rex 1280 | 110/60 | Taiwan | C210-14 | From After March '95 Production |
| Rex 1280 | 120/60 | USA, Canada | C210-15 | From After March '95 Production |
| NSA CP375 | 120/60 | USA, Canada | C210-16 | From After March '95 Production |
| Ricoh VT3500 | 110/60 | Taiwan | C210-19 | From After March '95 Production |
| Ges 5375 | 220, 240/50 | Europe, Asia | C210-22 | 50615020001 |
| Rex 1280 | 220, 240/50 | Europe, Asia | C210-24 | From After March '95 Production |
| NSA CP375 | 220, 240/50 | Europe, Asia | C210-25 | From After March '95 Production |
| Ricoh VT3500 | 220, 240/50 | Europe | C210-27 | C2795030001 |
| Ricoh VT3500 | 220, 240/50 | Asia | C210-29 | From After March '95 Production |
| A.B. Dick 6720 | 120/60 | USA, Canada | C210-18 | From After March '95 Production |

| | | | | |
|--------------------------------|---|----------------|-----------------------------|----------------------|
| Model | NA2 (VT3500 / Ges 5375 / Rex 1280 / NSA CP375 / ABD 6720) | Volt/Hz | Date of Modification | Serial Number |
| Modified Article | Parts Catalog | | | |
| Reason for Modification | Parts Catalog Correction | | | |
| | | | | |
| | | | | |

Correct your parts catalog as follows:

Page 11 EXTERIOR

1. A. B. Dick version only

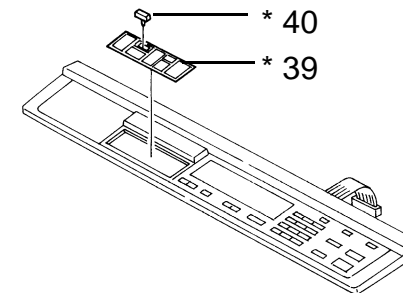
Correct the part numbers and descriptions as follows:

| Index | Incorrect P/N | Incorrect Description | Correct P/N | Correct Description |
|-------|---------------|-----------------------|-------------|-----------------------|
| 17 | C2102690 | Operation Panel Ass'y | Obsoleted | |
| 38 | C2102691 | Operation Panel Cover | C2102693 | Operation Panel Ass'y |

2. Ricoh version only

Add the following parts:

| New Index | Incorrect P/N | Incorrect Description | Q'ty |
|-----------|---------------|-----------------------|------|
| 39 | C2102697 | Sheet - On-line | 1 |
| 40 | C2102698 | Key Top - On-line | 1 |



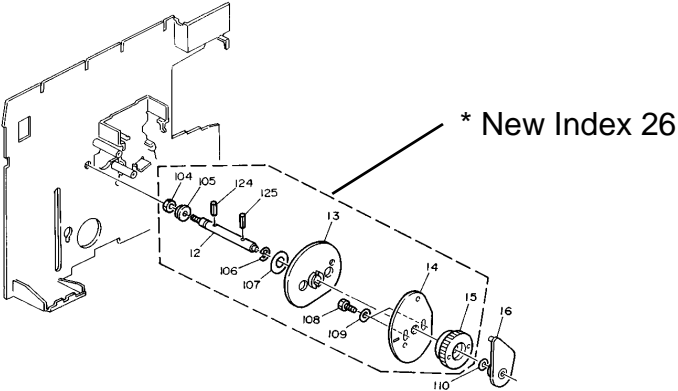
* These parts are to enable the use of the On-line function.

Page 19 DRIVE SECTION II

All versions

Add the following part and correct the illustration as shown below:

| New Index | P/N | Incorrect Description | Q'ty |
|-----------|----------|-----------------------|------|
| 26 | C2095101 | Feed Cam Ass'y | 1 |

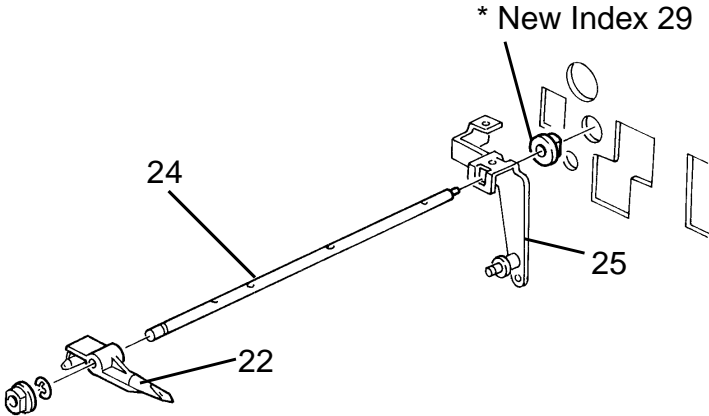


Page 45 PAPER EXIT SECTION III

All versions

Add the following part and correct the illustration as shown below:

| New Index | P/N | Incorrect Description | Q'ty |
|-----------|----------|-----------------------|------|
| 29 | C2032083 | Exit Pawl Bushing | 1 |



Page 47 DRUM SECTION I

A. B. Dick version only

Correct the part numbers as follows:

| Index | Incorrect P/N | Correct P/N | Description |
|-------|---------------|-------------|-------------|
| 25 | C2004826 | C2164826 | Pump Rubber |
| 33 | C2094670 | C2104670 | Ink Pump |

Page 59 SCANNER SECTION II

All versions

Add the following parts:

| New Index | P/N | Incorrect Description | Q'ty |
|-----------|----------|-------------------------------|------|
| * | C2103195 | ADF Unit - Ricoh / A. B. Dick | 1 |
| * | C2103200 | ADF Unit - 110 / 120V - NRG | 1 |
| * | C2103209 | ADF Unit - 220 / 240V - NRG | 1 |

Page 93 MAIN BOARD

1. **Ricoh and NRG versions only**

Correct the part number and description as follows:

| Index | Incorrect P/N | Incorrect Description | Correct P/N | Correct Description |
|-------|---------------|-----------------------|-------------|-----------------------|
| 217 | 14073512 | IC - MK48Z52B-20 - A4 | 14074286 | IC - MK48Z52B-15 - A4 |

2. **A. B. Dick version only**

Correct the part number and description as follows:

| Index | Incorrect P/N | Incorrect Description | Correct P/N | Correct Description |
|-------|---------------|-----------------------|-------------|-----------------------|
| 217 | 14073512 | IC - MK48Z52B-20 | 14073755 | IC - MK48Z12B-20 - LT |

M. Iwasa, Manager
Technical Support Department

| MODEL NAME | V/Hz | DESTINATION | CODE | SERIAL NUMBER |
|----------------|-------------|--------------|---------|---------------|
| Ges 5375 | 120/60 | USA, Canada | C210-12 | / |
| Ges 5375 | 110/60 | Taiwan | C210-13 | |
| Rex 1280 | 110/60 | Taiwan | C210-14 | |
| Rex 1280 | 120/60 | USA, Canada | C210-15 | |
| NSA CP375 | 120/60 | USA, Canada | C210-16 | |
| Ricoh VT3500 | 110/60 | Taiwan | C210-19 | |
| Ges 5375 | 220, 240/50 | Europe, Asia | C210-22 | |
| Rex 1280 | 220, 240/50 | Europe, Asia | C210-24 | |
| NSA CP375 | 220, 240/50 | Europe, Asia | C210-25 | |
| Ricoh VT3500 | 220, 240/50 | Europe | C210-27 | |
| Ricoh VT3500 | 220, 240/50 | Asia | C210-29 | |
| A.B. Dick 6720 | 120/60 | USA, Canada | C210-18 | |

| Model | | NA2 (VT3500 / Ges 5375 / Rex 1280 / NSA CP375 / ABD 6720) | | | | | Volt/Hz | Date of Modification | Serial Number | |
|-------------------------|---------------|---|--------------------------------|------|----------------------|----------------------|--|----------------------|---------------------------------|----------------------------|
| Modified Article | | | | | | | | | | |
| Reason for Modification | | Due to parts standardization with other models | | | | | | | | |
| Draw No. | Old Parts No. | New Parts No. | Description | Rank | Q'ty Used Old→New | Inter-change-ability | Parts needed for replacement by new part | | Parts Catalog | |
| | | | | | | | Part No. | Description | No. | Page |
| | C2092004 | C2222071 | Bottom Stay | | 2 → 2 | O/O | | | 11 | 13 |
| | C2012226 | C2192226 | Gear - 22T | | 2 → 2 | O/O | | | 18 | 19 |
| | C2035128 | C2245128 | Left Rack - Paper Feed | | 1 → 1 | O/O | | | 14 | 23 |
| | C2035126 | C2245126 | Right Rack - Paper Feed | | 1 → 1 | O/O | | | 34 | 23 |
| | 14030539 | | Photointerruptor - EE-SX450-P1 | | | | | | | |
| | | AW020041 | Photointerruptor | | n → n | O/O | | | 101 114 103 105 109 | 23 27 35 61 63 |

Rank: A : Replace with new parts immediately. B : Replace with new parts at time of repair. C : Replace with new parts at time of overhaul.

Interchangeability:

- (1) When old and new parts are not mutually interchangeable, use additional parts or an assembly part as indicated in "Parts needed for replacement by new part" to install the new part.
- (2) The mark to the left of the slash indicates whether the old part can be used in the new machine, and the mark to the right indicates whether the new part can be used in the old machine. x = Not interchangeable o = Interchangeable

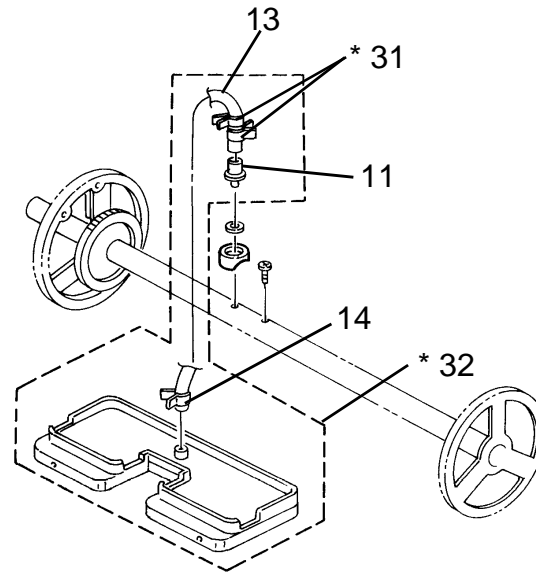
| Draw No. | Old Parts No. | New Parts No. | Description | Rank | Q'ty Used Old → New | Inter-changeability | Part needed for replacement by new part | | Parts Catalog | |
|----------|---------------|---------------|--------------------------------|------|------------------------|---------------------|---|-------------|---------------|-----------|
| | | | | | | | Part No. | Description | No. | Page |
| | C2005207 | C2195127 | Sectorgear Stud | | 1 → 1 | X/X | O/O as a set | | 23 | 33 |
| | C2035175 | C2245101 | Sector Gear | | 1 → 1 | X/X | | | 27 | 33 |
| | 55015929 | | Spacer - 5.2 mm x 16 mm x 1 | | 1 → 0 | | | | 22 | 33 |
| | 56001086 | | Spacer - 10.2 x 20 | | 1 → 0 | | | | 28 | 33 |
| | 07200080Z | | Retaining Ring - M8 | | n → n-1 | | | | 109 | 33 |
| | 08077018 | | Washer - M10 | | 1 → 0 | | | | 116 | 33 |
| | C2098301 | | Power Supply Unit - LT | | 1 → 0 | | | | | |
| | | C2098331 | Power Supply Unit - 115V | | 0 → 1 | O/O | | | 7 * | 41 107 |
| | C2108301 | | Power Supply Unit - A4 | | 1 → 0 | | | | | |
| | | C2108331 | Power Supply Unit - 110 / 230V | | 0 → 1 | O/O | | | 7 * | 41 107 |
| | C2094713 | | Hose Clamp | | 2 → 0 | | | | | |
| | | C2234713 | Hose Band | | 0 → 2 | O/O | | | 24 | 47 |
| | C2094801 | C2184801 | Metal Screen | | 1 → 1 | O/O | | | 12 | 51 |
| | C2094648 | C2194648 | Front Drum Flange | | 1 → 1 | O/O | | | 13 | 51 |
| | C2094678 | C2194678 | Front Drum Flange Cover | | 1 → 1 | O/O | | | 14 | 51 |

| Draw No. | Old Parts No. | New Parts No. | Description | Rank | Q'ty Used Old → New | Inter-changeability | Part needed for replacement by new part | | Parts Catalog | |
|----------|---------------|---------------|------------------------------|------|------------------------|---------------------|---|--------------------|---------------|------|
| | | | | | | | Part No. | Description | No. | Page |
| | C2094679 | C2194678 | Rear Cover - Drum Flange | | 1 → 1 | O/O | | | 13 | 53 |
| | C2094560 | C2184565 | Rear Drum Flange | | 1 → 1 | O/O | | | 14 | 53 |
| | C2094945 | C2184945 | Drum Clamper Base Ass'y | | 1 → 1 | O/O | | | 17 | 53 |
| | C2094835 | C2184835 | Tetron Screen | | 1 → 1 | O/O | | | 18 | 53 |
| | | | | | | | | | | |
| 1 | C2094701 | C2184701 | Ink Tube Nipple | | 1 → 1 | X/X | O/O as a set | | 11 | 55 |
| 1 | C2094703 | C2184703 | Ink Tube | | 1 → 1 | X/X | | | 13 | 55 |
| 1 | C2094711 | | Hose Clamp | | 2 → 1 | | | | 14 | 55 |
| | | C2094713 | Hose Band | | 0 → 2 | X/X | | | * 31 | 55 |
| 1 | | C2184698 | Ink Distributor & Tube Ass'y | | 0 → 1 | | | * 32 | 55 | |
| 2 | C2074746 | C2174599 | Rear Drum Blade | | 1 → 1 | O/O | | 6 | 55 | |
| 2 | C2074766 | C2184594 | Rear Bank Plate | | 1 → 1 | O/O | | 8 | 55 | |
| 2 | C2074765 | C2184592 | Front Bank Plate | | 1 → 1 | O/O | | 21 | 55 | |
| 2 | C2074745 | C2174598 | Front Drum Blade | | 1 → 1 | O/O | | 25 | 55 | |
| | C2004763 | | Sponge - Bank Plate | | 2 → 0 | | | 29 | 55 | |
| | | C2174596 | Sponge - Front Bank Plate | | 0 → 1 | X/X | O/O as a set | 29 | 55 | |
| | | C2174597 | Sponge - Rear Bank Plate | | 0 → 1 | X/X | | * 33 | 55 | |
| 2 | | C2184558 | Front Doctor Roller Ring | | 0 → 1 | | | * : New Index * 34 | 55 | |

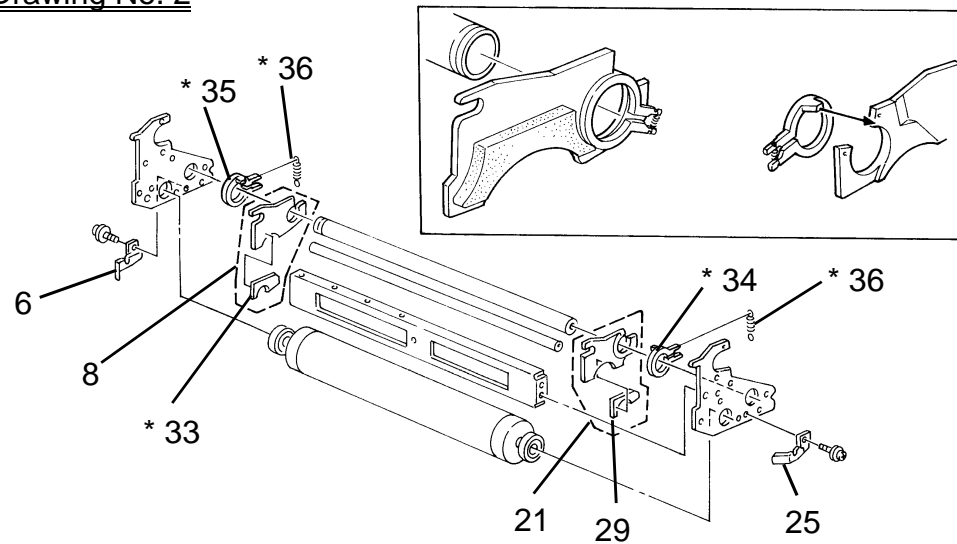
| Draw No. | Old Parts No. | New Parts No. | Description | Rank | Q'ty Used Old → New | Inter-changeability | Part needed for replacement by new part | | Parts Catalog | |
|----------|---------------|---------------|---|------|------------------------|---------------------|---|-------------|---------------|------|
| | | | | | | | Part No. | Description | No. | Page |
| | C5252039 | | Caster Stopper | | 2 → 0 | | | | | |
| | | C5462039 | Caster With Stopper | | 0 → 2 | X/X | O/O as a set | | 6 | 89 |
| | C5252038 | C5462038 | Caster | | 2 → 2 | X/X | | | 7 | 89 |
| 4 | C5252002 | C5252152 | Table - Ricoh / A. B. Dick | | 1 → 1 | X/X | | | 8 | 89 |
| 4 | C5252402 | C5252142 | Table - NRG | | 1 → 1 | X/X | | | 8 | 89 |
| 4 | | C5252091 | Shelf - 393.5 x 609 (Ricoh / A. B. Dick) | | 0 → 1 | | | | * 14 | 89 |
| 4 | | C5252092 | Shelf - 393.5 x 609 (NRG) | | 0 → 1 | | | | * 14 | 89 |
| | | | | | | | | | * : New Index | |
| 5 | C5252035 | | Butterfly Bolt | | 2 → 0 | | | | | |
| | | C5462035 | Adjusting Screw | | 0 → 2 | O/O | | | 9 | 89 |
| | 14040143 | | Varistor - SNR221KD-10 | | 1 → 0 | | | | | |
| | | 14040335 | Varistor - NV220D20 | | 0 → 1 | O/O | | | 117 | 95 |
| | 12081024 | | Solid State Relay - 240V2A | | 1 → 0 | | | | | |
| | | 12081258 | Solid State Relay - AC240V | | 0 → 1 | O/O | | | 128 | 95 |

DETAILS OF MODIFICATION

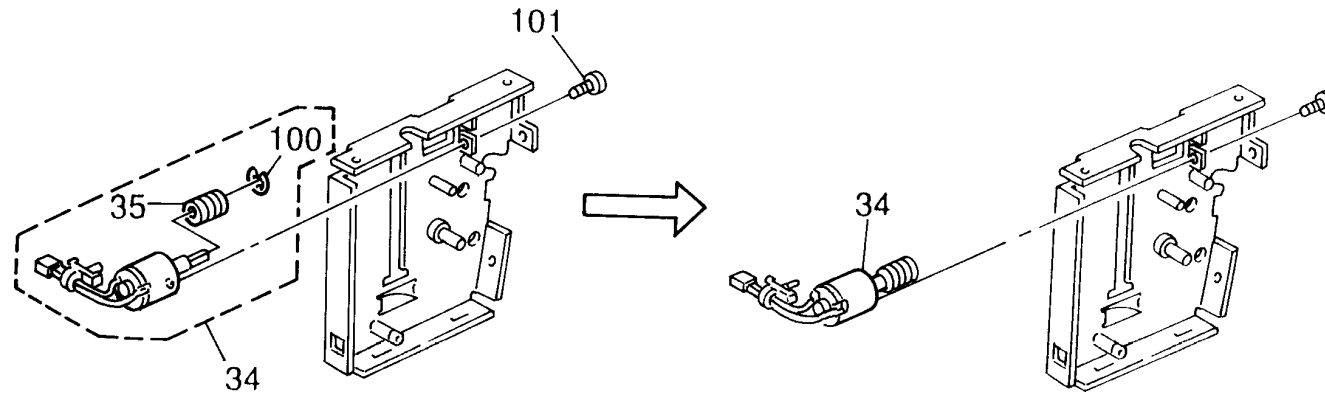
Drawing No. 1



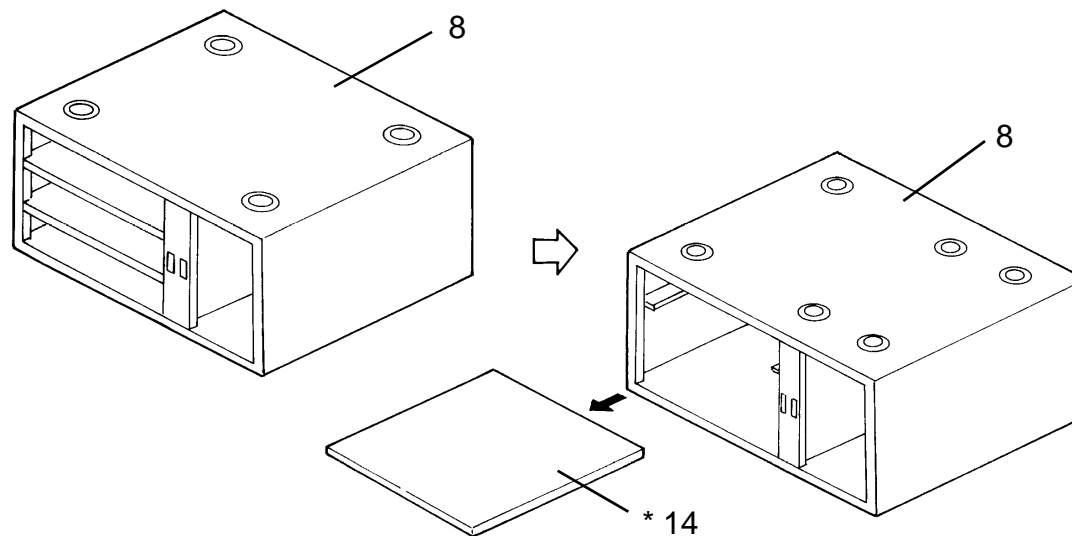
Drawing No. 2



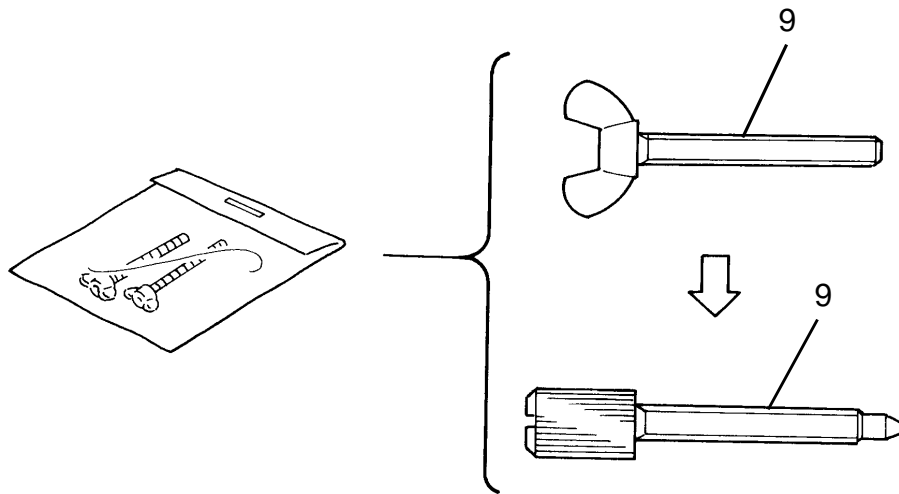
Drawing No.3



Drawing No. 4




Drawing No. 5



M. Iwasa, Manager
Technical Support Department

| MODEL NAME | V/Hz | DESTINATION | CODE | SERIAL NUMBER |
|----------------|-------------|--------------|---------|---------------|
| Ges 5375 | 120/60 | USA, Canada | C210-12 | |
| Ges 5375 | 110/60 | Taiwan | C210-13 | |
| Rex 1280 | 110/60 | Taiwan | C210-14 | |
| Rex 1280 | 120/60 | USA, Canada | C210-15 | |
| NSA CP375 | 120/60 | USA, Canada | C210-16 | |
| Ricoh VT3500 | 110/60 | Taiwan | C210-19 | |
| Ges 5375 | 220, 240/50 | Europe, Asia | C210-22 | |
| Rex 1280 | 220, 240/50 | Europe, Asia | C210-24 | |
| NSA CP375 | 220, 240/50 | Europe, Asia | C210-25 | |
| Ricoh VT3500 | 220, 240/50 | Europe | C210-27 | |
| Ricoh VT3500 | 220, 240/50 | Asia | C210-29 | |
| A.B. Dick 6720 | 120/60 | USA, Canada | C210-18 | |

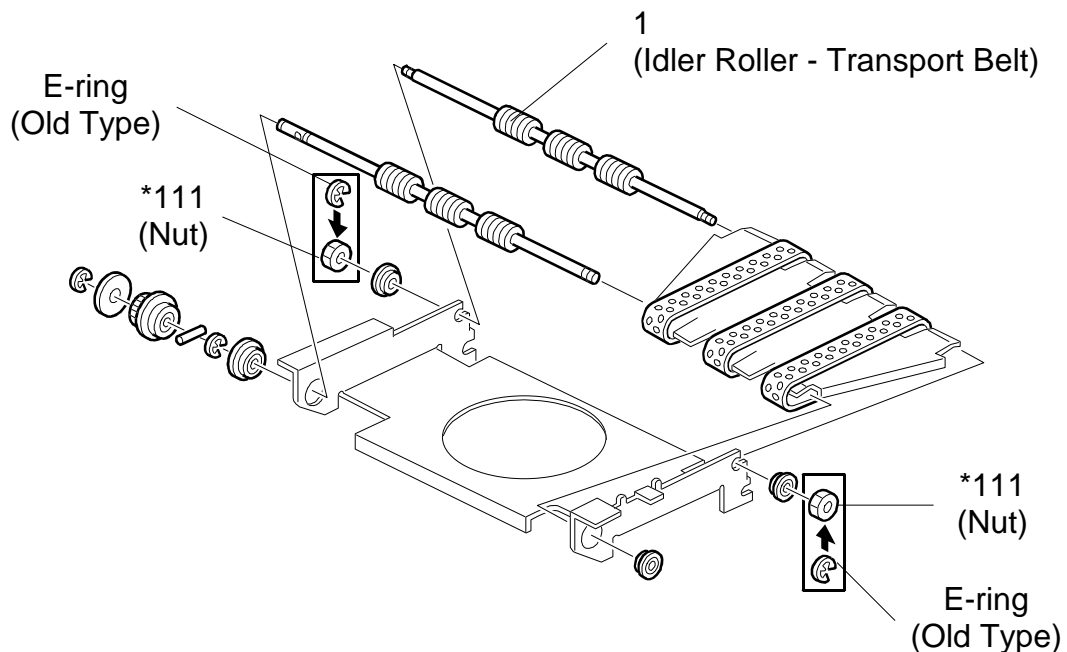
| | | | |
|---|--|---|---------------|
| Model: PRIPORT NA2 | | Date: 15-Apr-98 | No: 36 |
| Modified Article: Paper Delivery Roller | | Prepared by:  | |
| From: Priport Service Planning Section | | H. Kokubo | |
| Classification: <input type="checkbox"/> Parts catalog correction <input type="checkbox"/> Vendor change <input type="checkbox"/> To meet standards <input type="checkbox"/> To facilitate assembly <input checked="" type="checkbox"/> To improve reliability () <input checked="" type="checkbox"/> Part standardization <input type="checkbox"/> Other () | | | |
| Model Name: | | | |
| Ricoh VT3500, Gestetner 5375, RexRotary 1280, nashuatec CP375, ABDICK 6720 | | | |

Due to part standardization, the idler roller used in the paper delivery vacuum unit (Idler Roller - Transport Belt) has been modified. Both ends of the roller shaft have been threaded to fit with nuts instead of E-rings (Retaining Ring - M4), as shown below.

The new type removes any thrust play between the roller shaft and bearings, and will improve durability (shaft wear will be reduced).


NOTE: The new part can only be used in combination with two nuts (#07120060Z).

| Old # | | New # | Description | Qty | Int | Page | Index | Note |
|------------|---|-----------|-------------------------------|------------------|-------|------|-------|------|
| C209 6019 | | C223 6019 | Idler Roller - Transport belt | 1 - 1 | X/X | 37 | 1 | |
| 0720 0040Z | ┌ | | Retaining Ring - M4 | 2 - 0 | | | 101 | |
| | | └ | 0712 0060Z | Hexagon Nut - M6 | 0 - 2 | X/X | 37 | *111 |



Model: PRIPORT NA2**Date:** 15-Apr-98**No: 36**

| Model Name | V/Hz | Destination | Code | Serial Number |
|-------------------|----------------|--------------------|-------------|----------------------|
| Ges 5375 | 120/60 | USA, Canada | C210-12 | Service Parts Only |
| Ges 5375 | 110/60 | Taiwan | C210-13 | Service Parts Only |
| Rex 1280 | 110/60 | Taiwan | C210-14 | Service Parts Only |
| Rex 1280 | 120/60 | USA, Canada | C210-15 | Service Parts Only |
| Nsa CP375 | 120/60 | USA, Canada | C210-16 | Service Parts Only |
| Ricoh VT3500 | 110/60 | Taiwan | C210-19 | Service Parts Only |
| Ges 5375 | 220, 240/50 | Europe, Asia | C210-22 | Service Parts Only |
| Rex 1280 | 220, 240/50 | Europe, Asia. | C210-24 | Service Parts Only |
| Nsa CP375 | 220, 240/50 | Europe, Asia | C210-25 | Service Parts Only |
| Ricoh VT3500 | 220, 240/50 | Europe | C210-27 | Service Parts Only |
| Ricoh VT3500 | 220, 240/50 | Asia | C210-29 | Service Parts Only |
| ABDICK 6720 | 120/60 | USA, Canada | C210-18 | Service Parts Only |

| | | | |
|--|--|---|---------------------|
| Model: PRIPORT NA2 | | Date: 15-Jun-99 | No: MC210037 |
| Modified Article: Upper and Lower Master Eject Belts | | Prepared by:  | |
| From: Priport Service Planning Section | | H. Kokubo | |
| Classification: <input type="checkbox"/> Parts catalog correction <input type="checkbox"/> Vendor change <input type="checkbox"/> To meet standards <input type="checkbox"/> To facilitate assembly <input checked="" type="checkbox"/> To improve reliability () <input type="checkbox"/> Part standardization <input type="checkbox"/> Other () | | | |
| Model Name: | | | |
| Ricoh VT3500, Gestetner 5375, RexRotary 1280, nashuatec CP375, ABDICK 6720 | | | |

The upper and lower master eject belts have been changed as follows. The new parts have more tolerance against stretching when used over a long period of time.

| Old # | New # | Description | Qty | Int | Page | Index |
|-----------|-----------|-------------|-------|-----|------|-------|
| C219 3605 | C219 3611 | Upper Belt | 5 → 5 | X/O | 77 | 28 |
| C219 3606 | C219 3612 | Lower Belt | 5 → 5 | X/O | 77 | 29 |



Model: PRIPORT NA2**Date:** 15-Jun-99**No:** MC210037**CUT IN SERIAL NUMBERS**

| Model Name | V/Hz | Destination | Code | Serial Number |
|-------------------|----------------|--------------------|-------------|----------------------|
| Ges 5375 | 120/60 | USA, Canada | C210-12 | Service Parts Only |
| Ges 5375 | 110/60 | Taiwan | C210-13 | Service Parts Only |
| Rex 1280 | 110/60 | Taiwan | C210-14 | Service Parts Only |
| Rex 1280 | 120/60 | USA, Canada | C210-15 | Service Parts Only |
| Nsa CP375 | 120/60 | USA, Canada | C210-16 | Service Parts Only |
| Ricoh VT3500 | 110/60 | Taiwan | C210-19 | Service Parts Only |
| Ges 5375 | 220, 240/50 | Europe, Asia | C210-22 | Service Parts Only |
| Rex 1280 | 220, 240/50 | Europe, Asia. | C210-24 | Service Parts Only |
| Nsa CP375 | 220, 240/50 | Europe, Asia | C210-25 | Service Parts Only |
| Ricoh VT3500 | 220, 240/50 | Europe | C210-27 | Service Parts Only |
| Ricoh VT3500 | 220, 240/50 | Asia | C210-29 | Service Parts Only |
| ABDICK 6720 | 120/60 | USA, Canada | C210-18 | Service Parts Only |